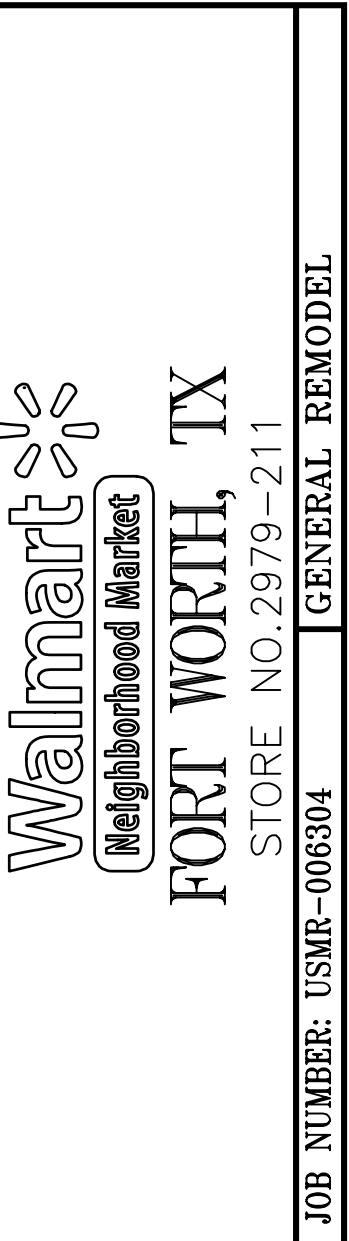


SHEET NOTES

1. EQUIPMENT SHOWN IN AREAS THAT ARE EXISTING TO REMAIN ARE FOR REFERENCE OF A PROTO SETUP, EXISTING POWER, DATA, AND PHONES SHOULD NOT BE REMOVED, RELOCATED, OR ADDED IN EXISTING TO REMAIN AREAS UNLESS SPECIFIED BY PROJECT CONSTRUCTION DOCUMENTS.



STIPULATION FOR REUSE
THIS DRAWING WAS PREPARED FOR USE ON A SPECIFIC SITE AT FORT WORTH, TX. IT IS NOT SUITABLE FOR USE ON A DIFFERENT PROJECT SITE OR AT A LATER DATE. THE USER OF THIS DRAWING FOR REFERENCE OR EXAMPLE ON ANOTHER PROJECT REQUIRES THE SERVICES OF PROPERLY LICENSED ARCHITECTS AND ENGINEERS. NO REUSE OR MODIFICATION OF THIS DRAWING FOR ANY OTHER PROJECT IS AUTHORIZED AND MAY BE CONTRARY TO THE LAW.



ISSUE BLOCK table with columns for date, description, and status. Includes entries for 02/12/18 PERMIT and 03/02/18 ADD #1.

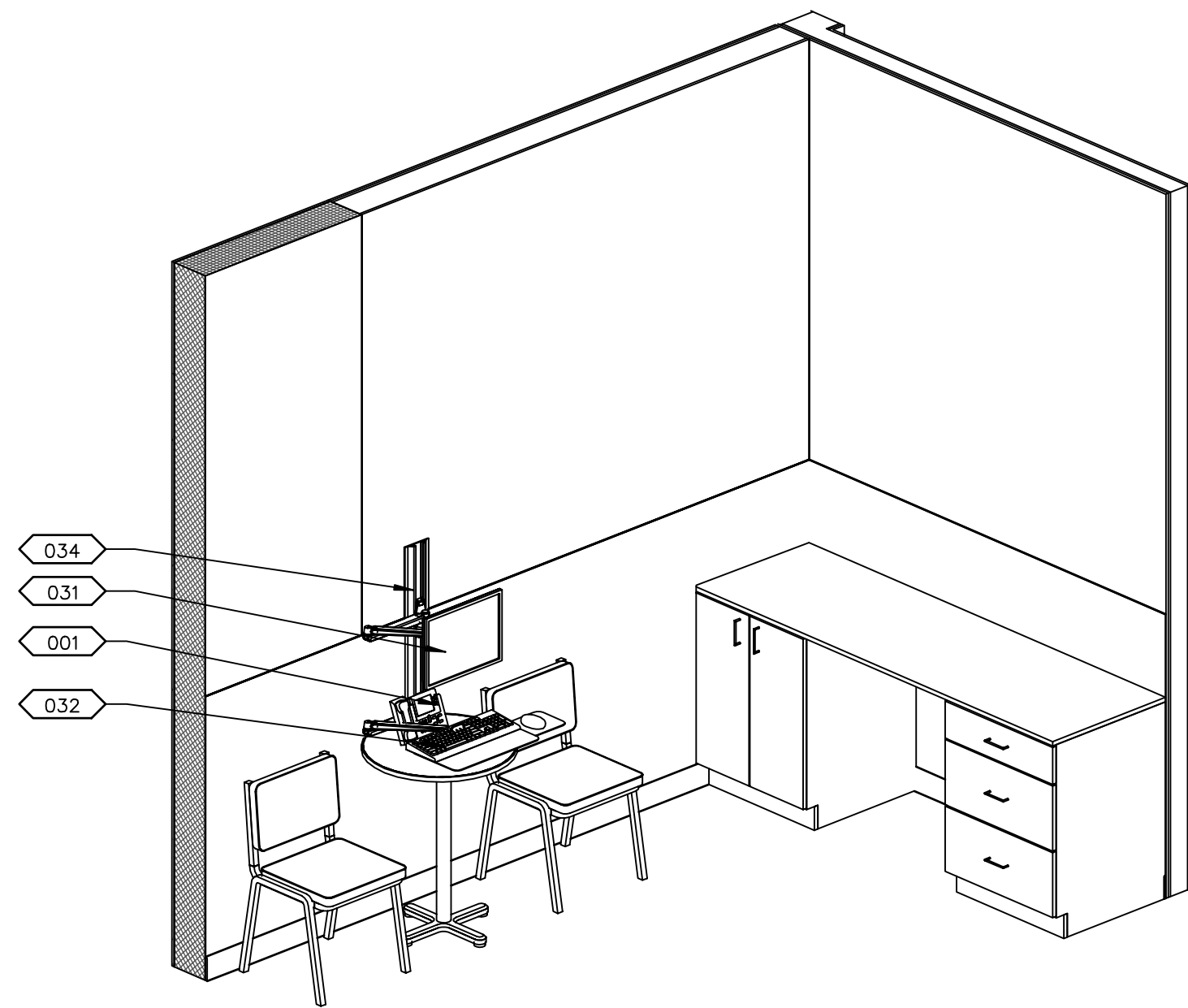
CHECKED BY: JO
DRAWN BY: TB
PROTO: 52
PROTO CYCLE: 12/29/17
DOCUMENT DATE: 02/12/18

DOCUMENTS WITHOUT SIGNATURE AND REQUIRED SEAL OF AOR/EOR ARE NOT FOR CONSTRUCTION

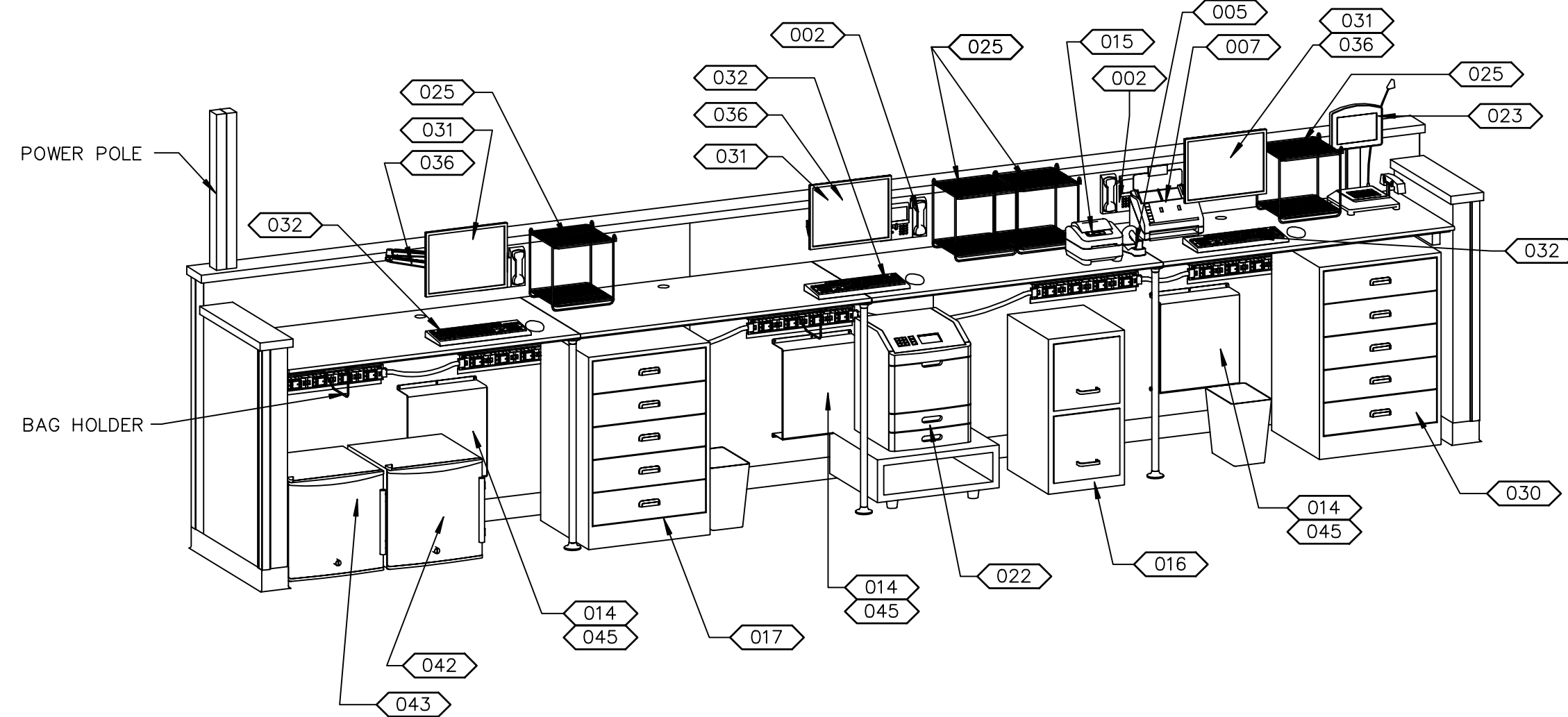
FOR REFERENCE ONLY

PHARMACY EQUIPMENT

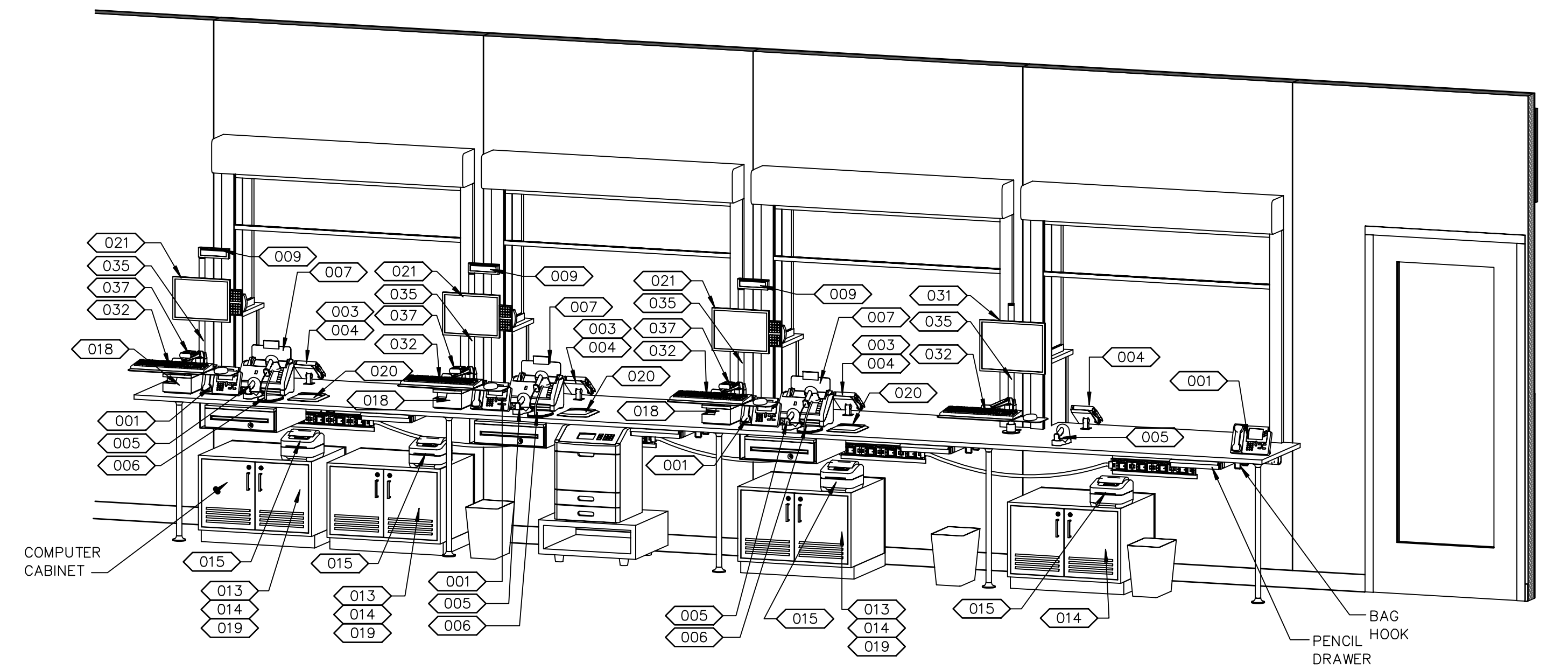
PHM3



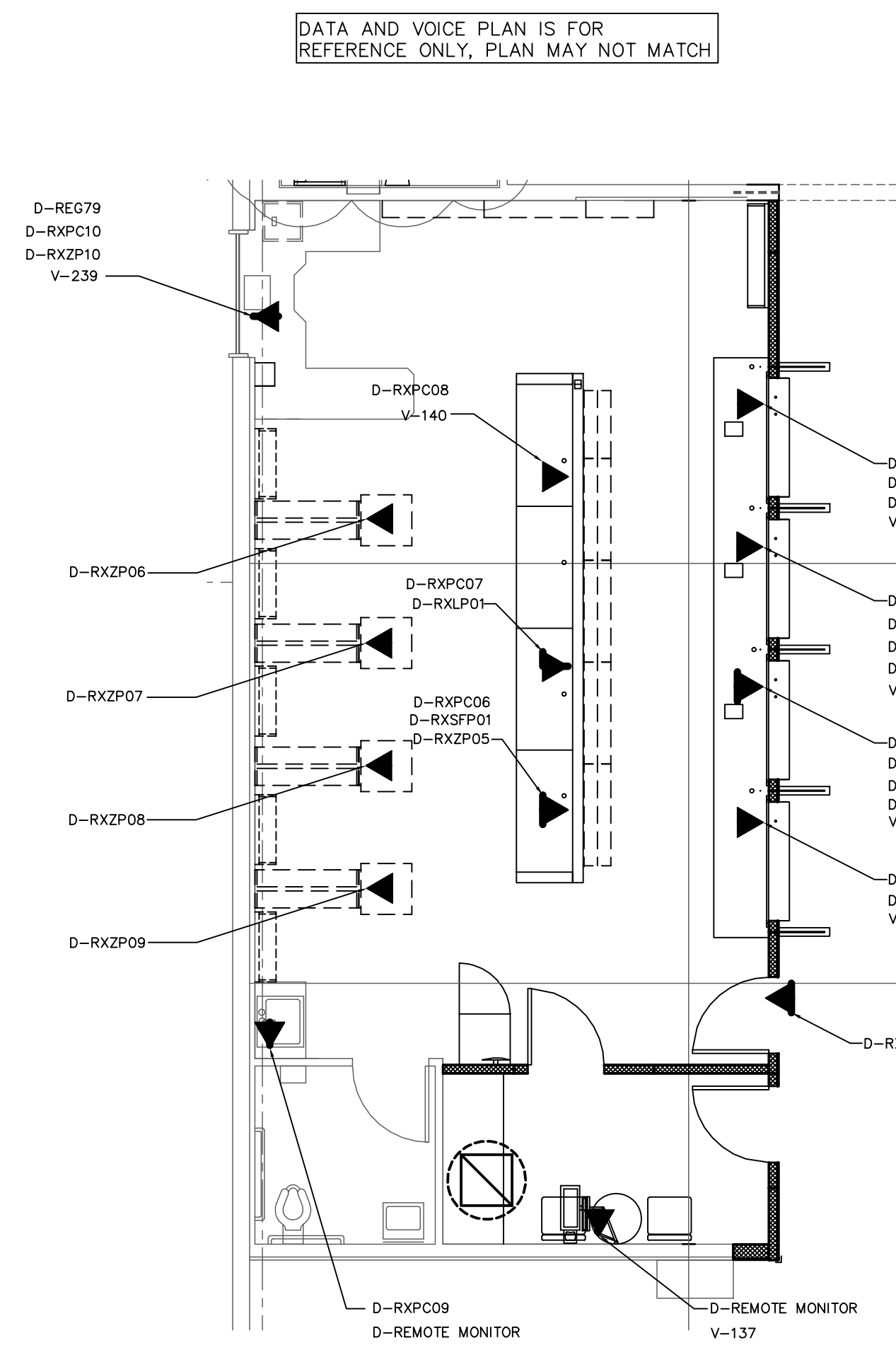
5 HEALTH SERVICES ROOM



4 PHARMACIST WORKBENCH



3 FRONT COUNTER



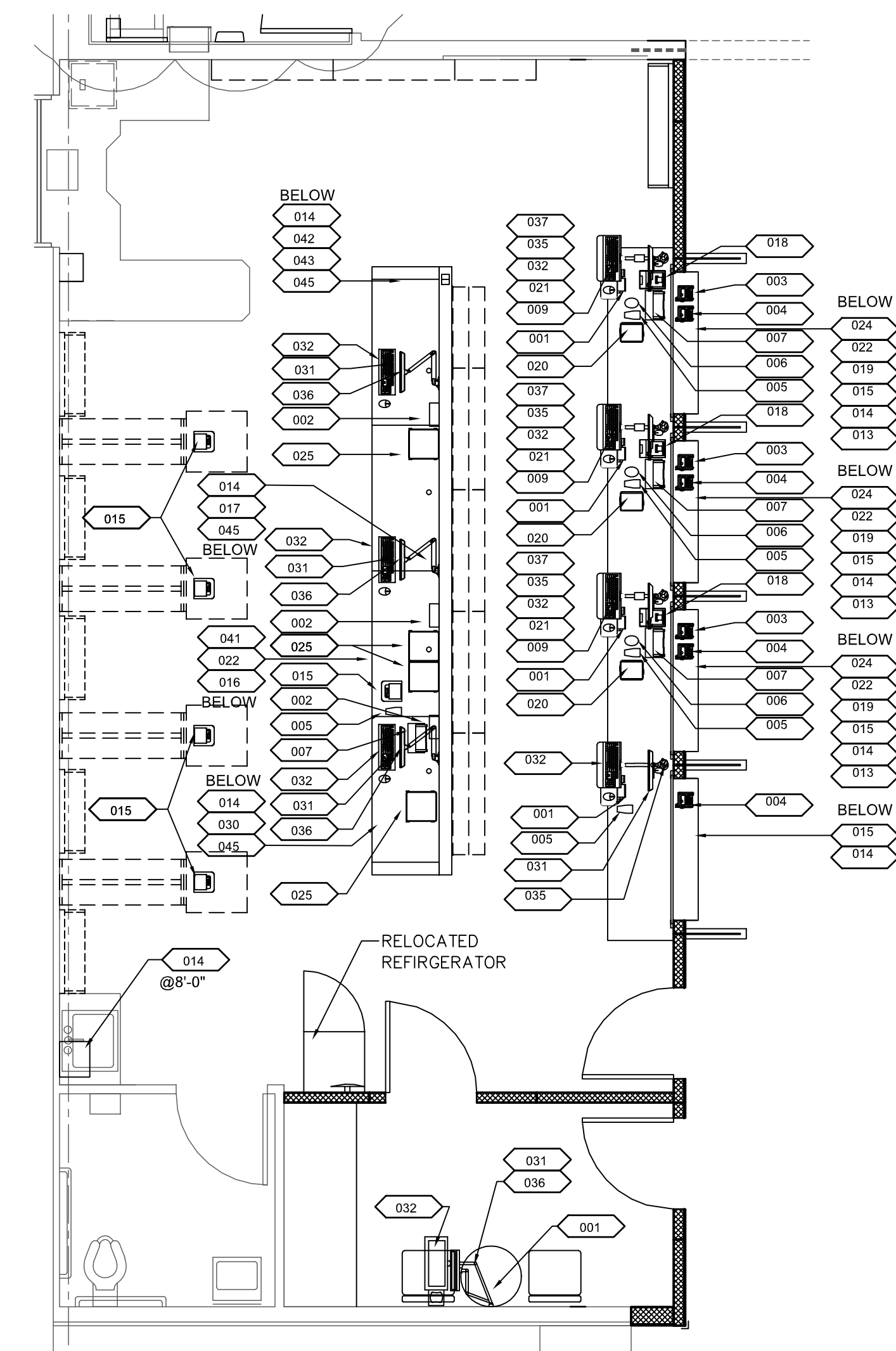
DATA AND VOICE PLAN IS FOR REFERENCE ONLY, PLAN MAY NOT MATCH

DATA SCHEDULE

DATA SCHEDULE table with columns for CABLE, LOCATION, TYPE, and various equipment specifications. Includes D-RXPC01 through D-RXZP09.

VOICE SCHEDULE

VOICE SCHEDULE table with columns for CABLE, LOCATION, TYPE, and phone model. Includes V-134 through V-239.



EQUIPMENT LEGEND table listing callout numbers and corresponding equipment names, such as 001 DESK PHONE, 002 WALL PHONE, 003 DEBIT READER, etc.

2 PHARMACY DATA/VOICE PLAN (FOR REFERENCE ONLY)

1 PHARMACY EQUIPMENT PLAN (FOR REFERENCE ONLY)