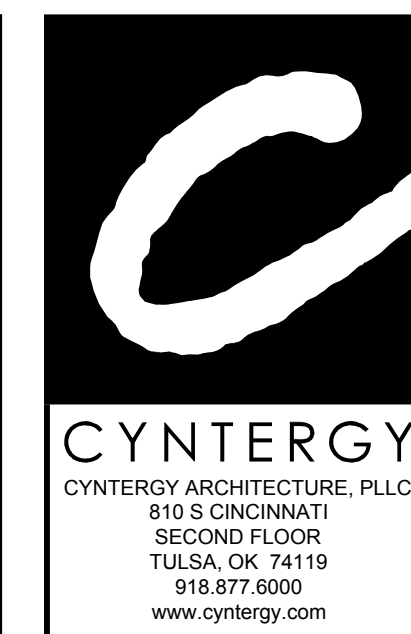


SHEET NOTES

1. THIS SHEET IS FOR REFERENCE ONLY, REFER TO MANUFACTURER'S INSTALLATION DRAWINGS AND SPECIFICATIONS FOR ADDITIONAL INFORMATION AND SPECIFIC DETAILS ON THE MODULAR WALLS AND COMPONENTS.
2. ALL MODULAR WALL PANELS AND MODULAR CEILING PANELS FURNISHED BY OWNER, GC INSTALLED.
3. SALES SIDE OF PANELS ARE PRE LAMINATED WITH GYPSUM, GC TO TAPE, MUD, AND PAINT. INTERIOR SIDES OF PANELS ARE PREFINISHED, GC TO CAULK SEAMS WHERE MODULAR WALLS MEET AT INSIDE OF PHARMACY AND HEALTH SERVICES ROOM.
4. ACTUAL PANEL SIZES MAY VARY BASED ON FIELD CONDITIONS, GC TO COORDINATE WITH PANEL MANUFACTURER.
5. GC TO REFERENCE MANUFACTURERS INSTALLATION DRAWINGS FOR SEQUENCE OF WALL INSTALLATION AND ASSEMBLY.
6. SOME PANELS WILL BE OVER SIZED AND WILL NEED TO BE MODIFIED TO FIT IN THE FIELD, COORDINATE WITH VENDOR FOR INSTRUCTIONS.

FOR MODULAR WALL PANEL COORDINATION CONTACT:
 Haines, Jones & Cadbury, Customer Service (800) 459-7099; WJTP@hjc.com FOR MODULAR WALL PANEL COORDINATION



STIPULATION FOR REUSE
 THIS DRAWING WAS PREPARED FOR USE ON A SPECIFIC SITE AT FORT WORTH, TX. CONTAMINATION WITH ITS ISSUE DATE ON 02/12/18, AND IT IS NOT SUITABLE FOR USE ON A DIFFERENT PROJECT SITE OR AT A LATER TIME. THE USE OF THIS DRAWING FOR REFERENCE OR EXAMPLE ON ANOTHER PROJECT REQUIRES THE SERVICES OF PROFESSIONAL ARCHITECTS AND ENGINEERS. REPRODUCTION OF THIS DRAWING FOR REUSE ON ANOTHER PROJECT IS NOT AUTHORIZED AND MAY BE CONTRARY TO THE LAW.

Walmart Neighborhood Market
FORT WORTH, TX
 STORE NO. 2979-211
 JOB NUMBER: USMR-006304 GENERAL REMODEL

ISSUE BLOCK

02/12/18	PERMIT
03/02/18	ADD #1
30 X 42 SHEET SET	

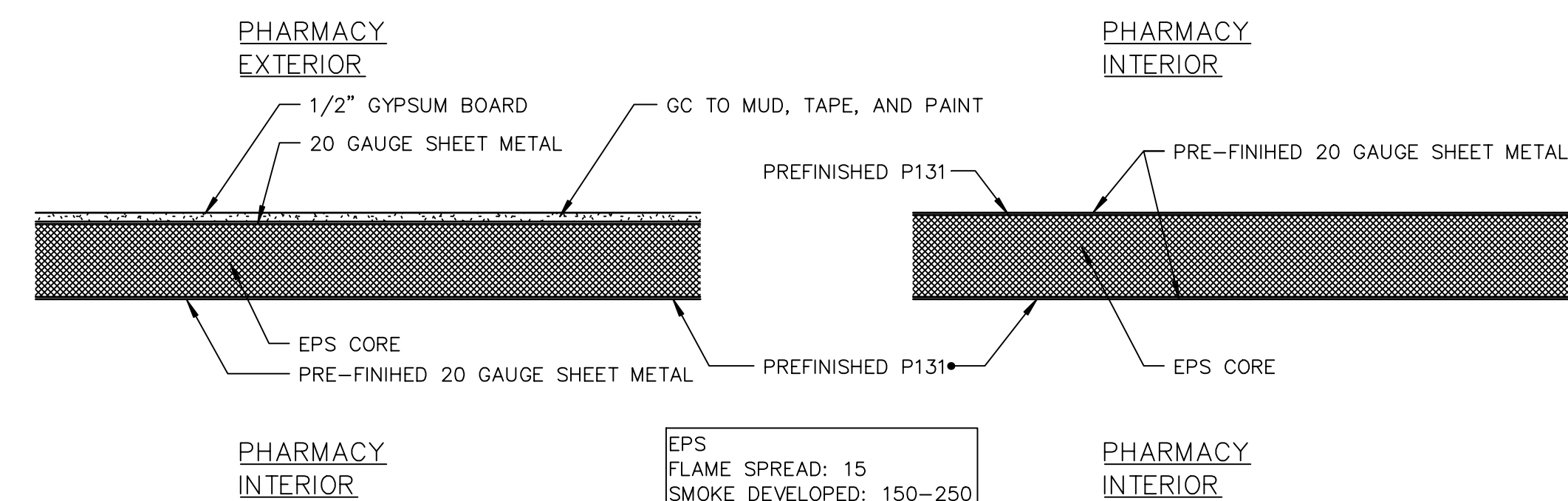
CHECKED BY: JO
 DRAWN BY: TB
 PROTO: 52
 PROTO CYCLE: 12/29/17
 DOCUMENT DATE: 02/12/18

DOCUMENTS WITHOUT SIGNATURE AND REQUIRED SEAL OF AOR/EOR ARE NOT FOR CONSTRUCTION

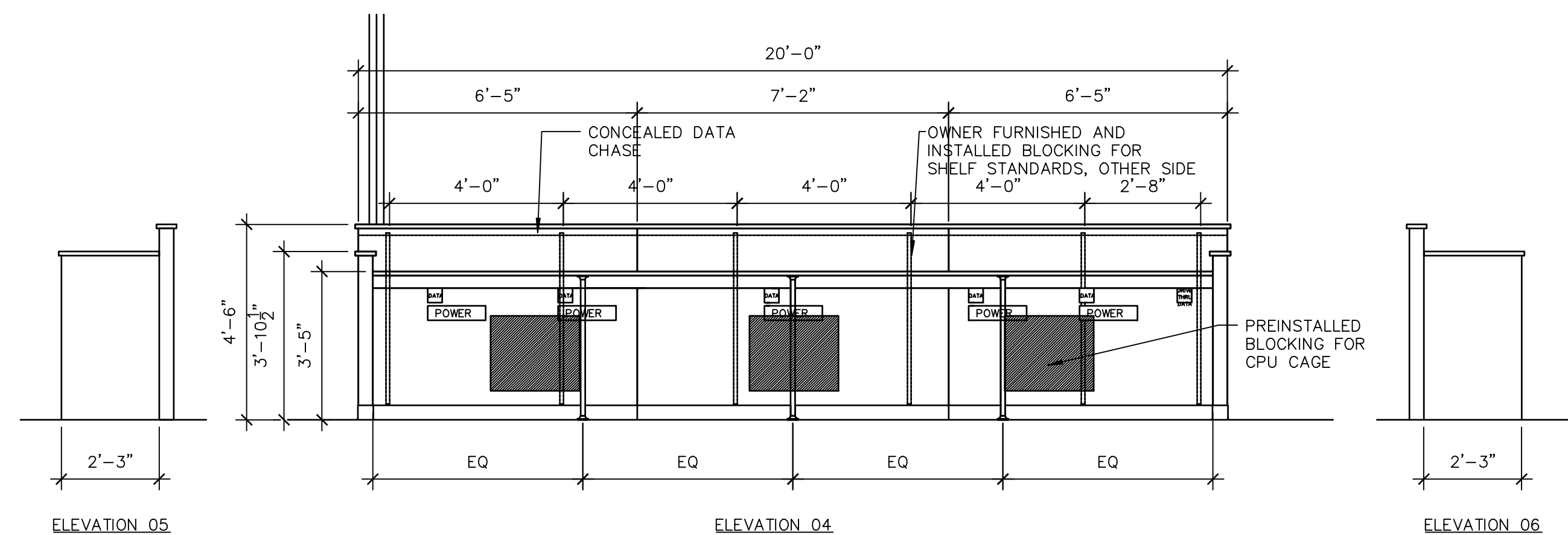
FOR REFERENCE ONLY

PANEL PLAN

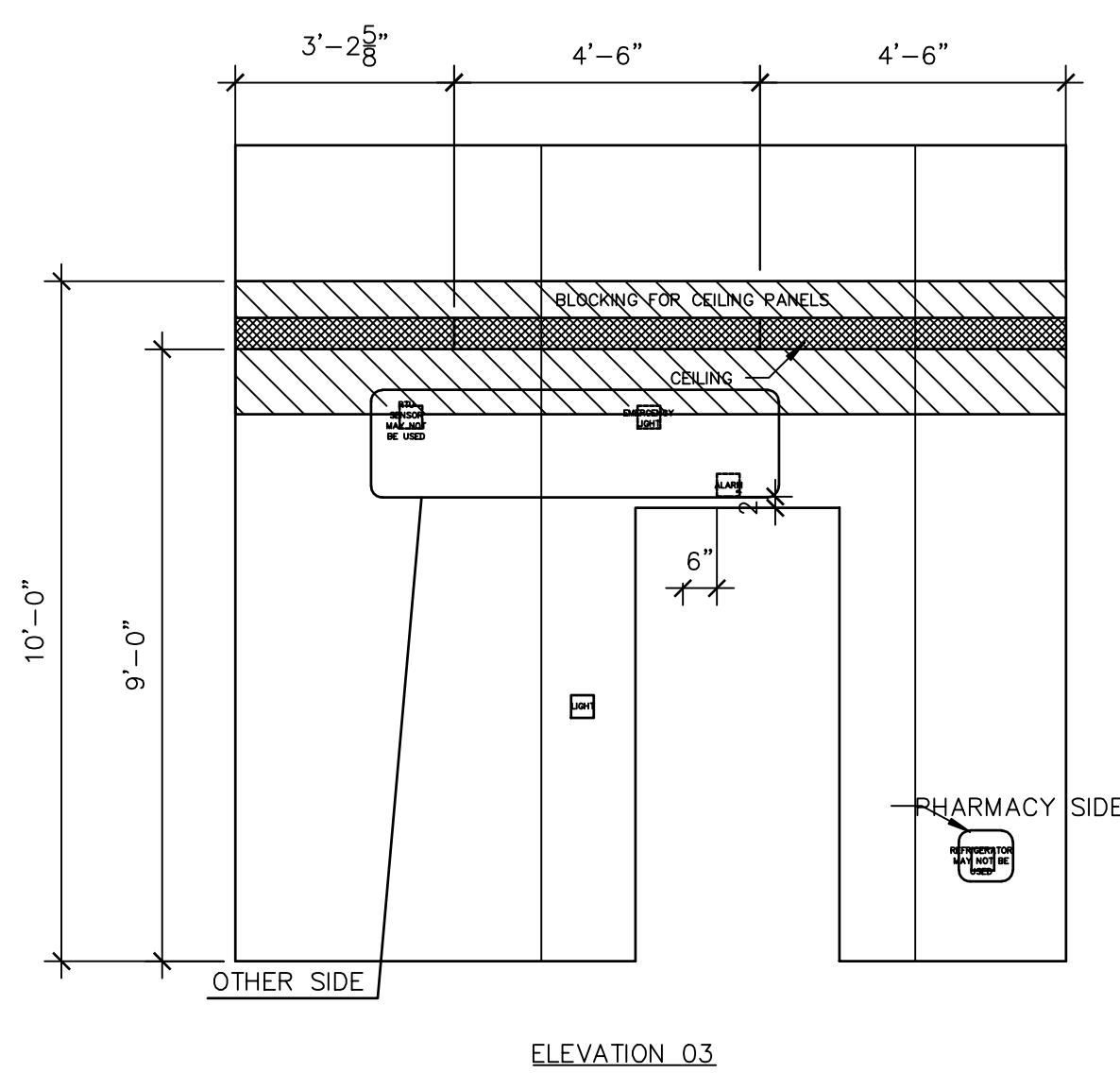
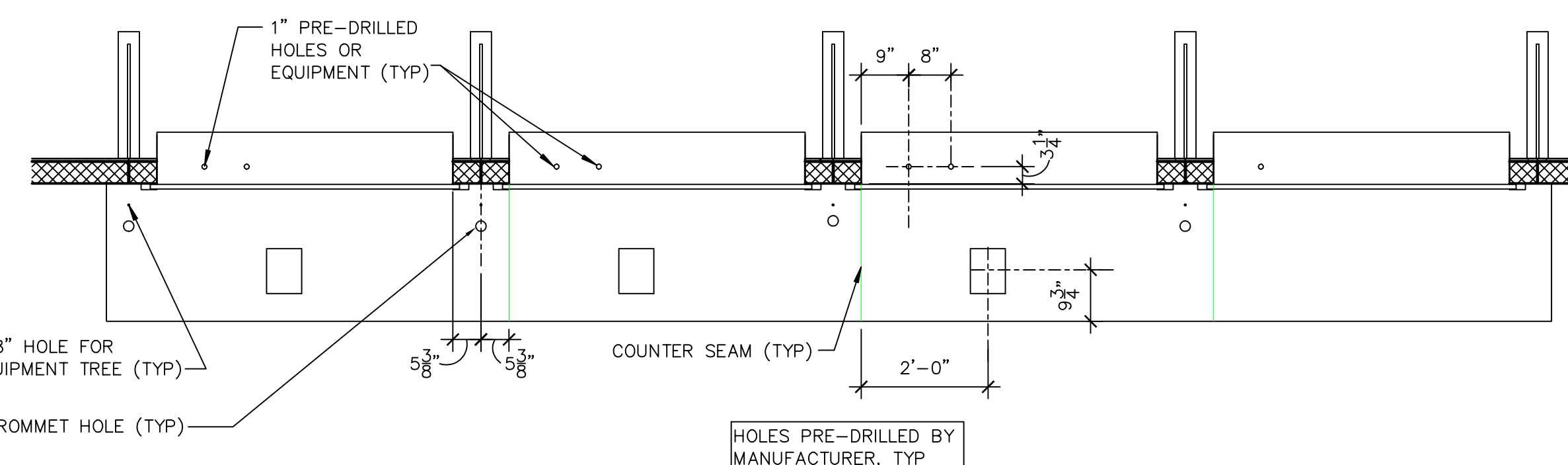
SHEET: PHM4



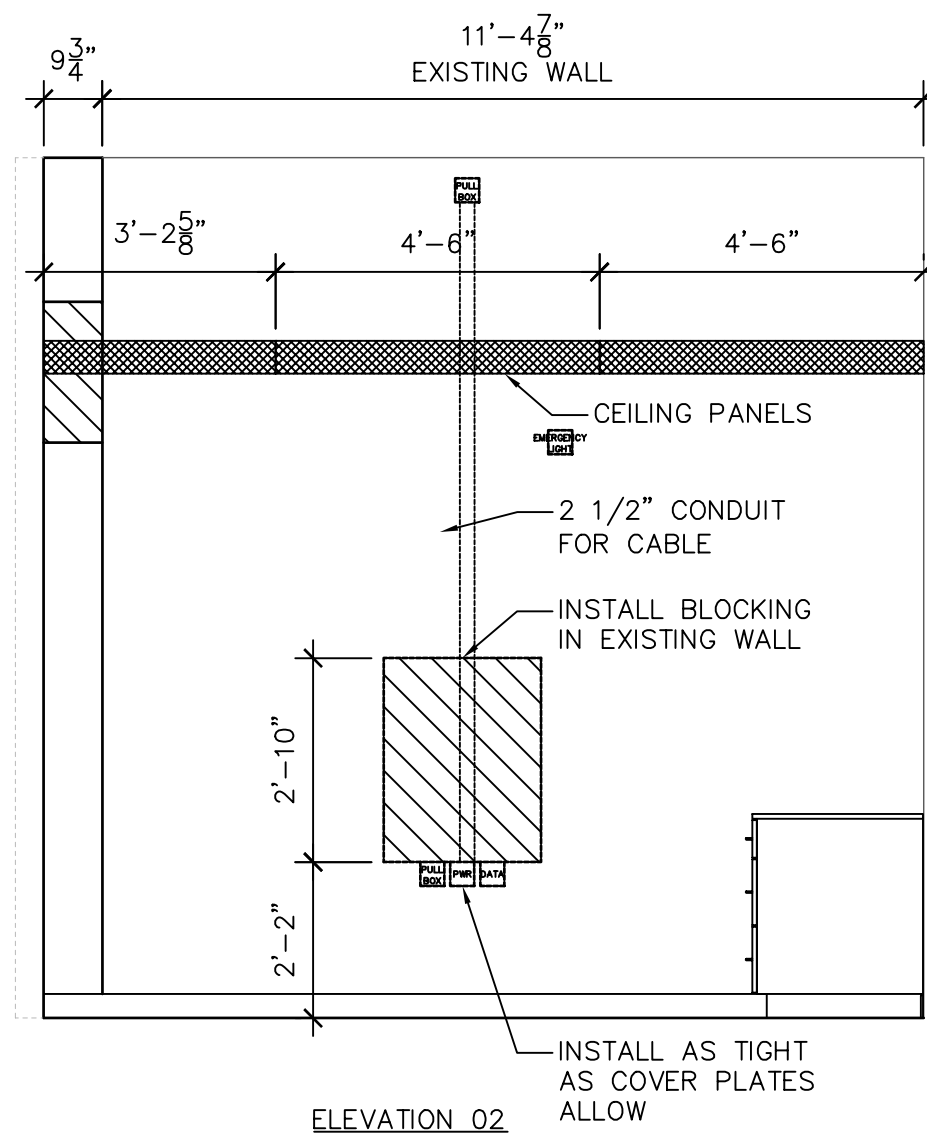
3 MODULAR WALL PANEL TYPES
 1 1/2"=1'-0"



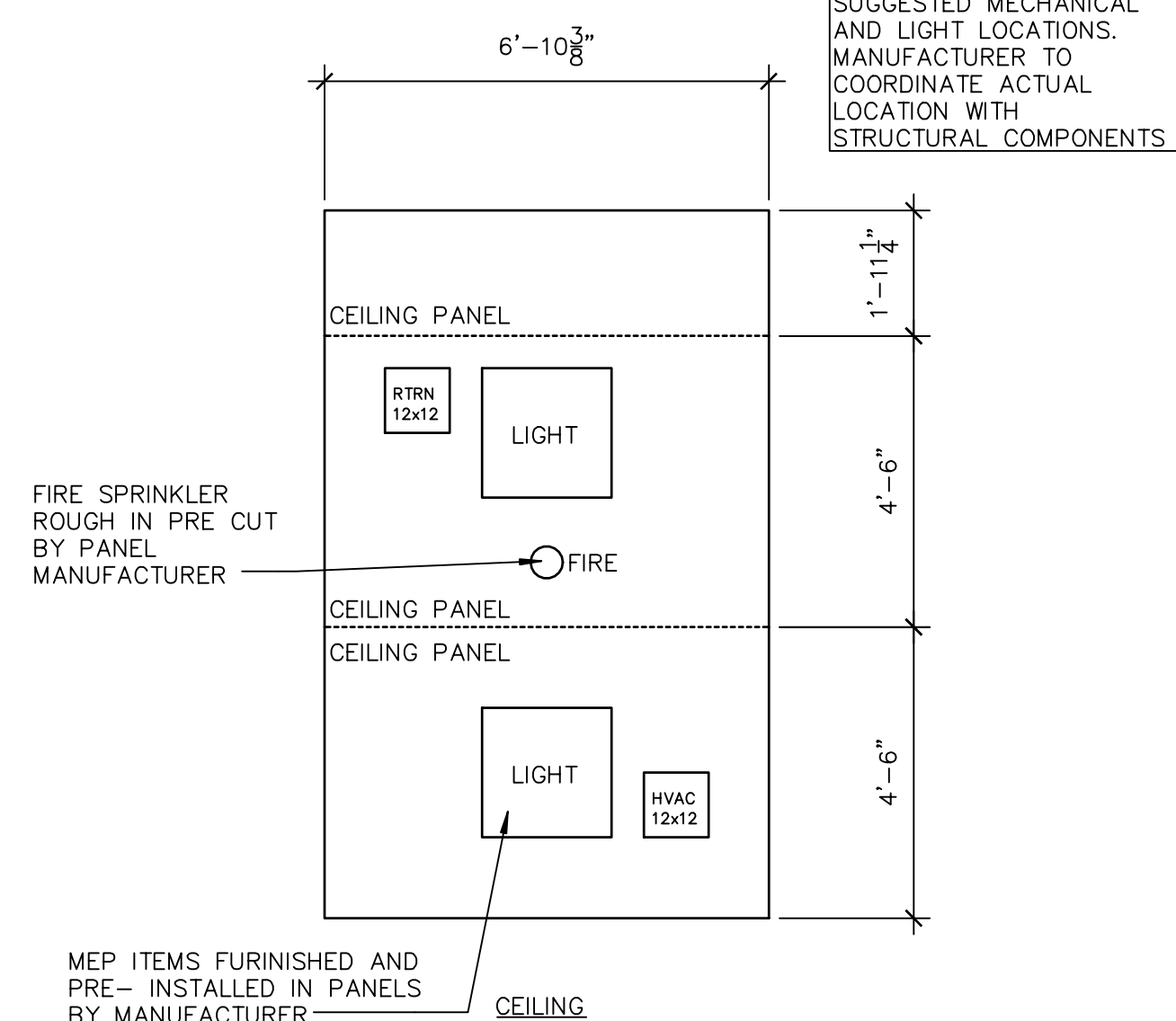
2 COUNTER HOLE PLAN
 1 1/2"=1'-0" HS010-001C 42NC HS



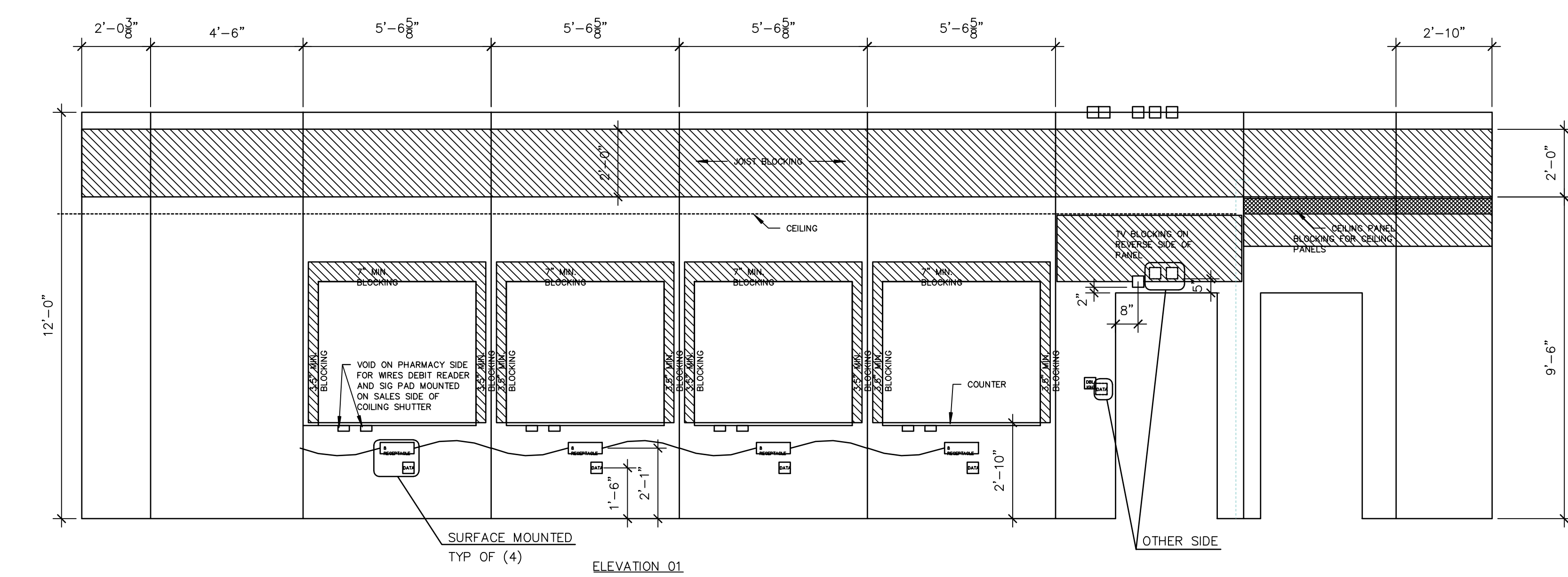
ELEVATION_03



ELEVATION_02

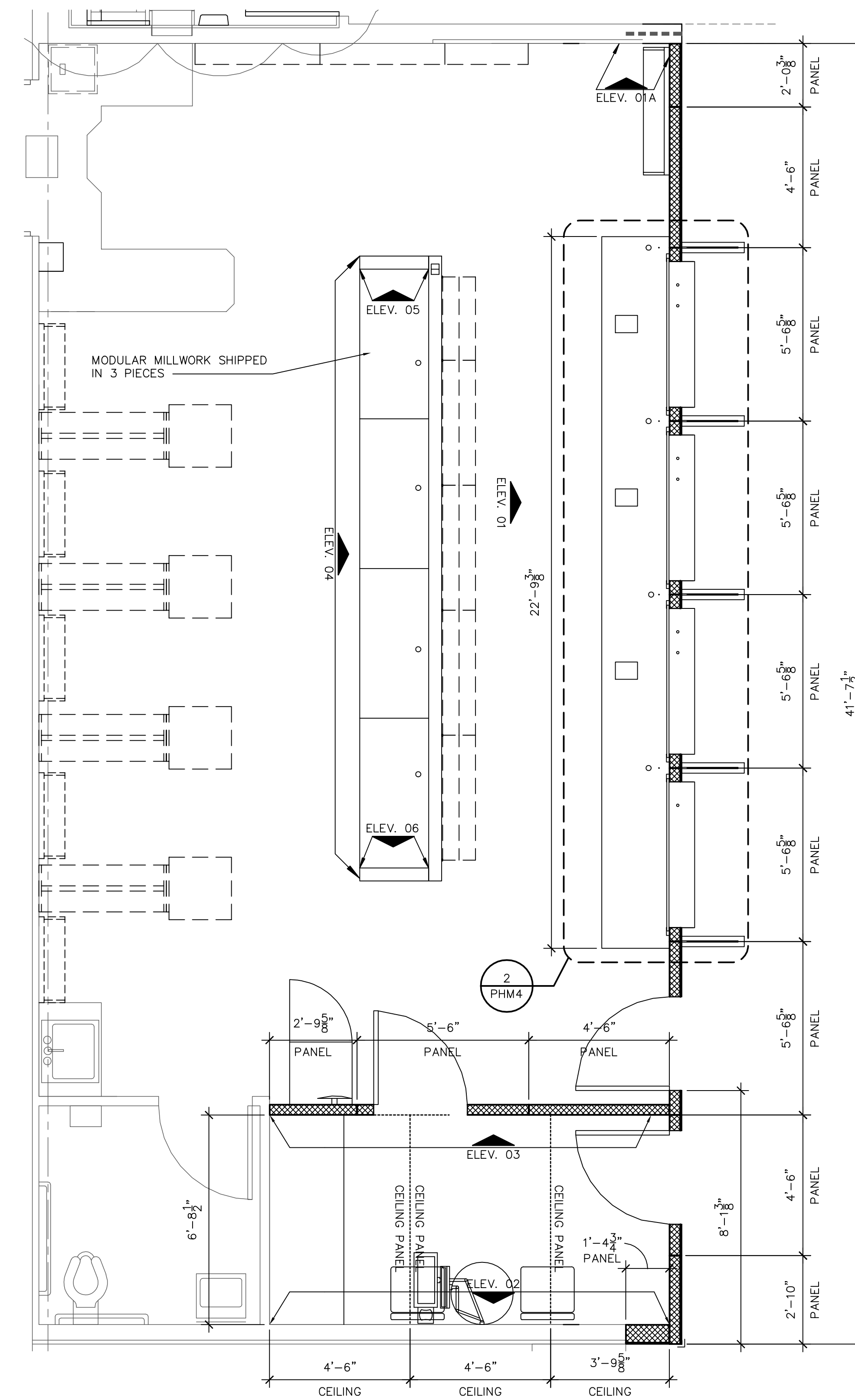


ELEVATION_04



ELEVATION_01A

ELEVATION_01



1 MODULAR PANEL PLAN
 3/8\"/>