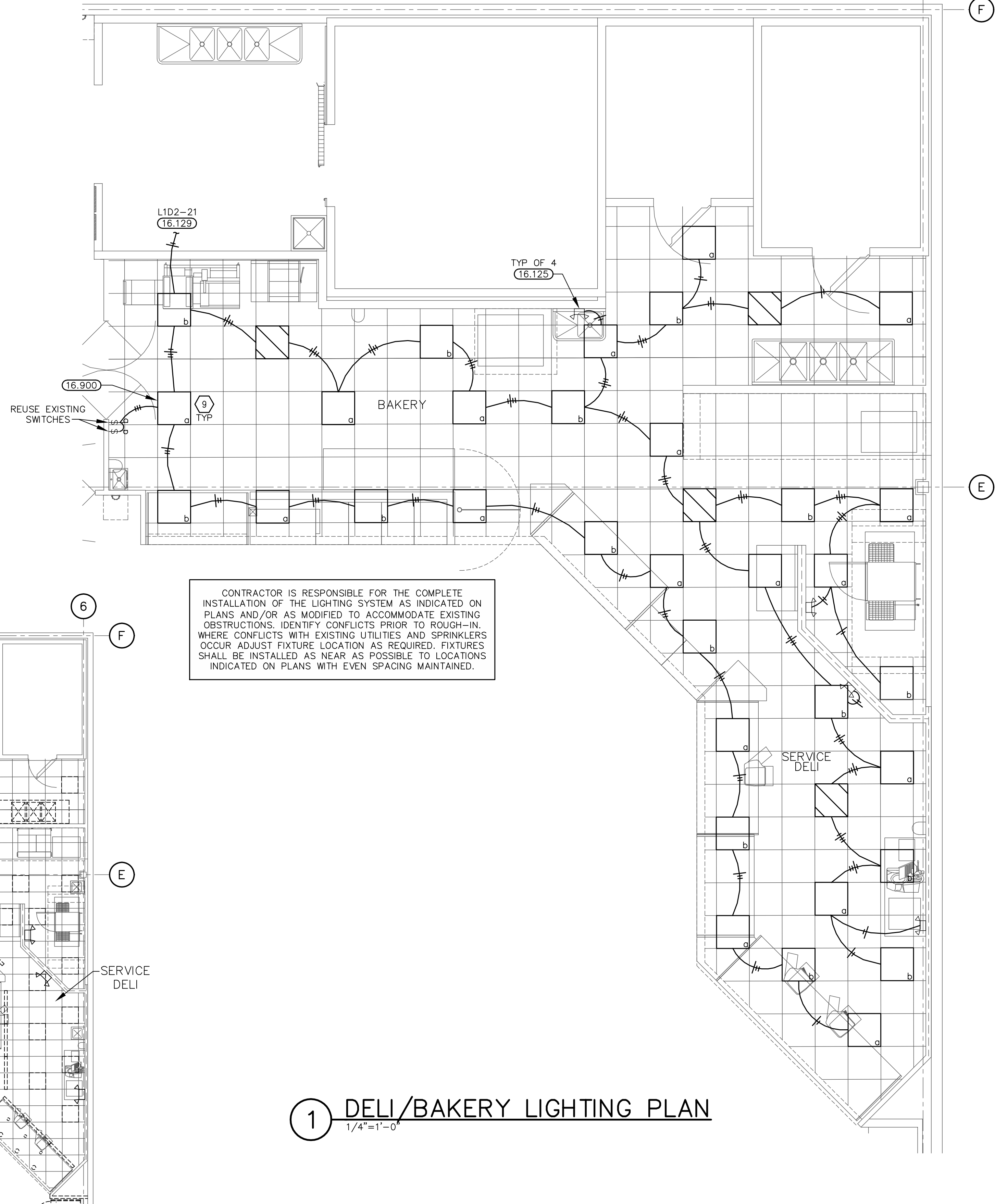
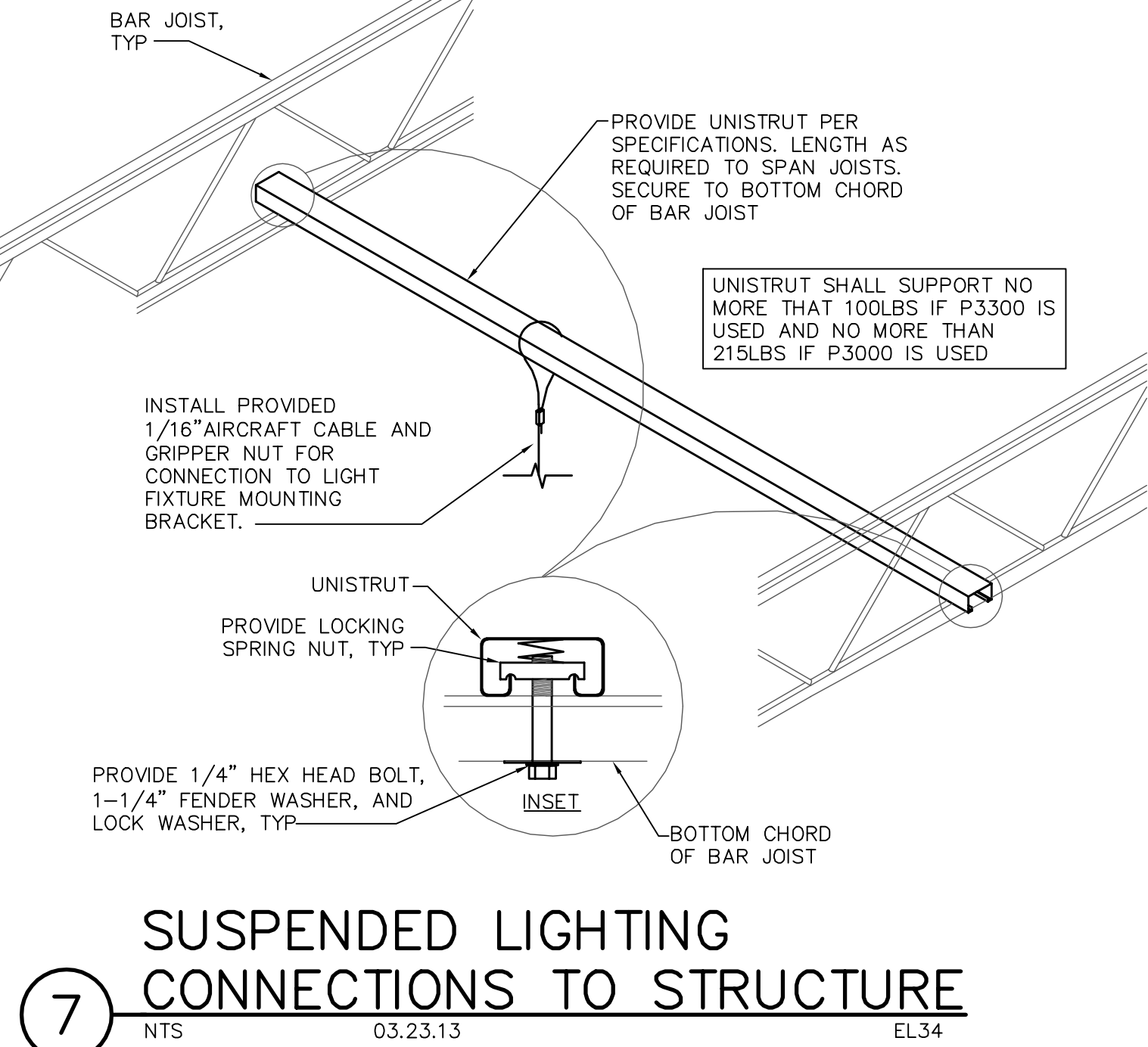
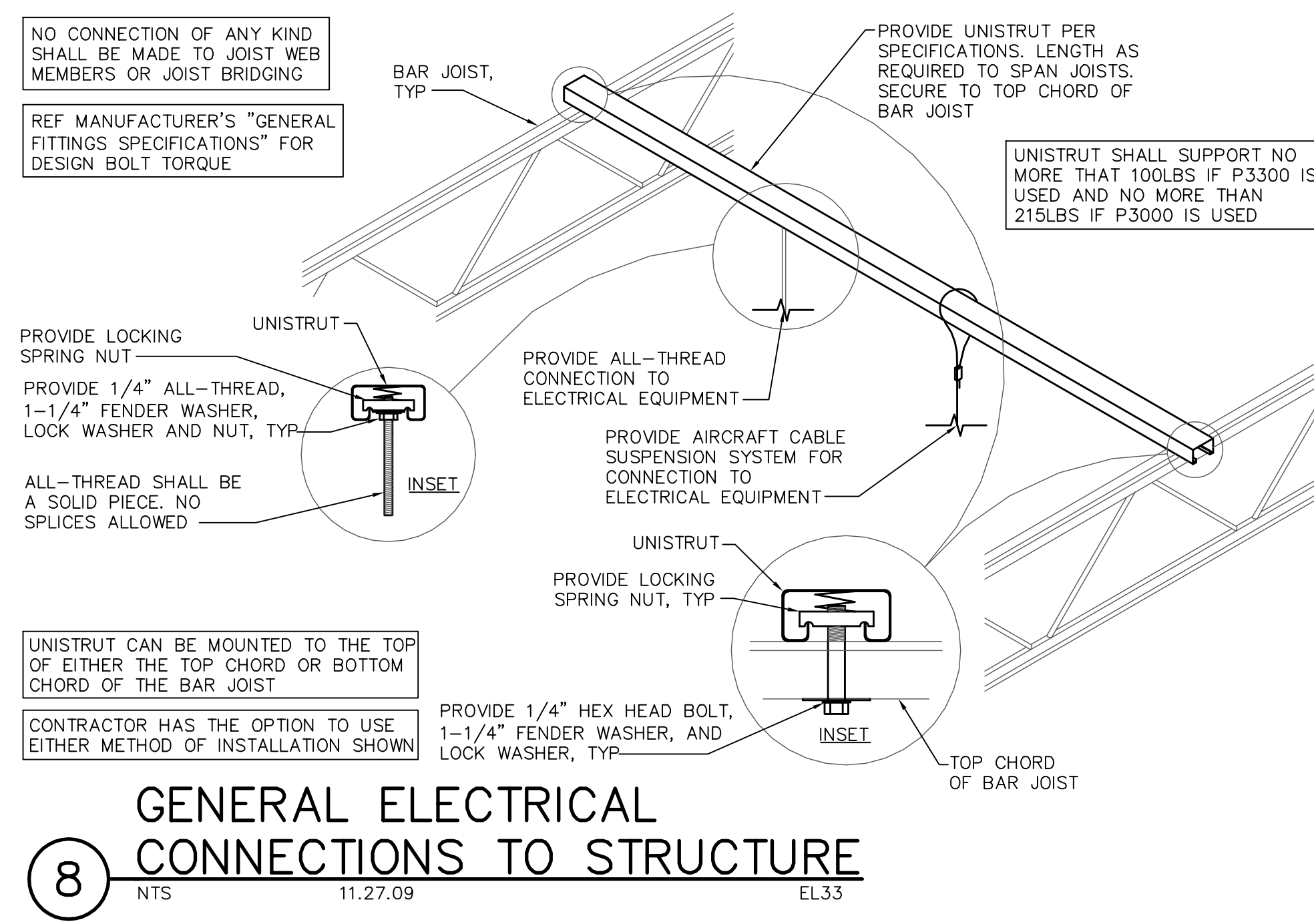
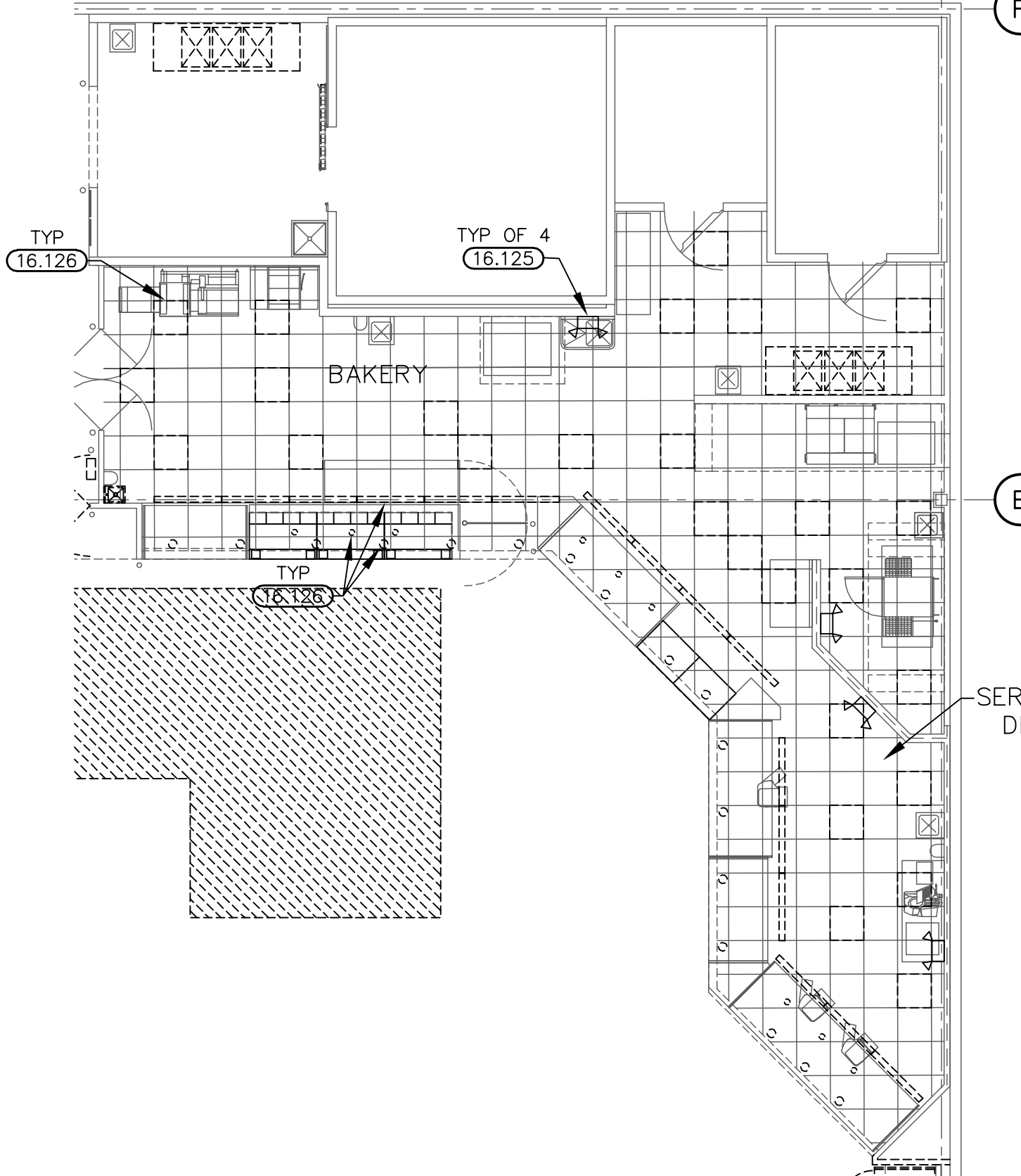
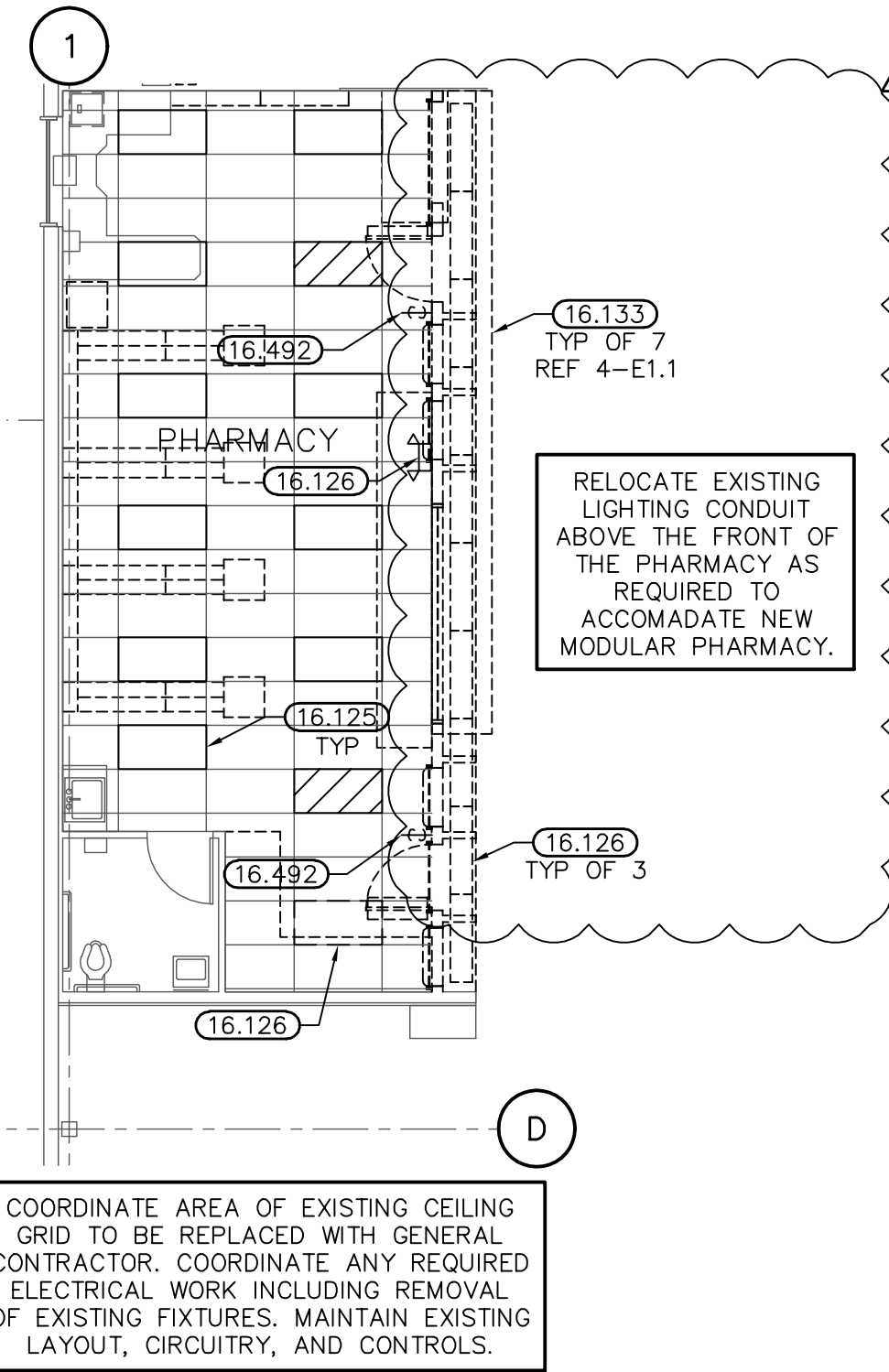
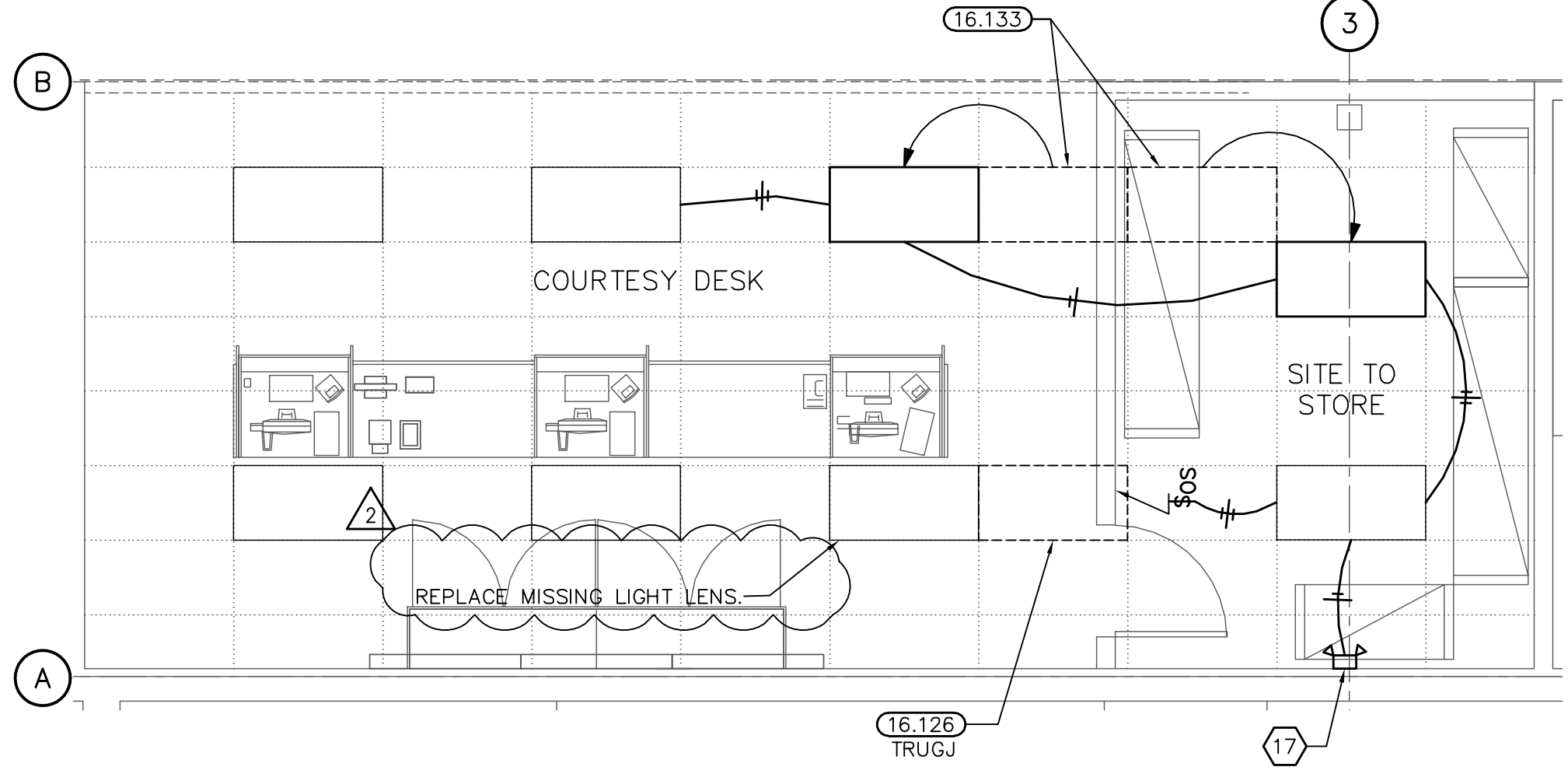
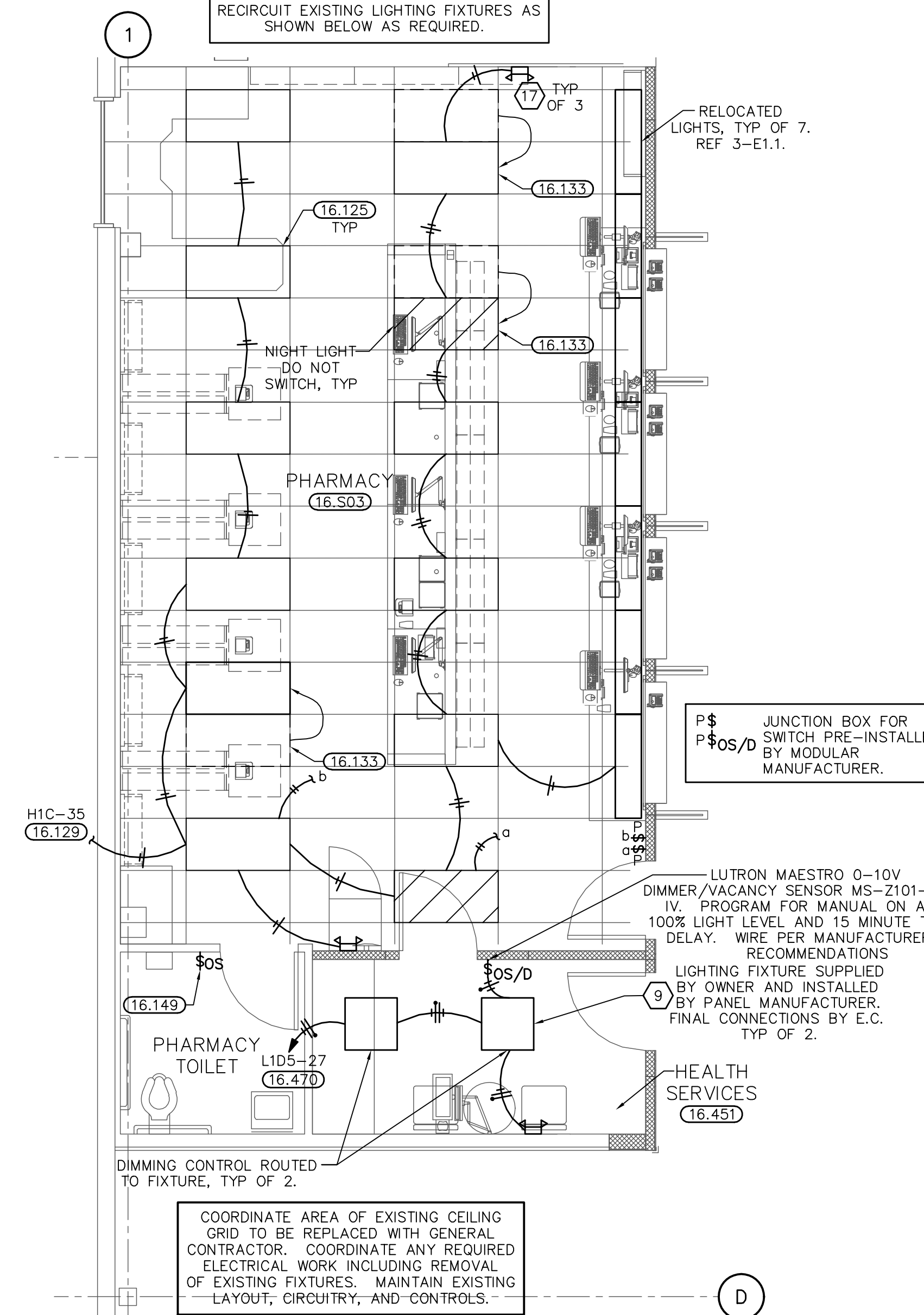
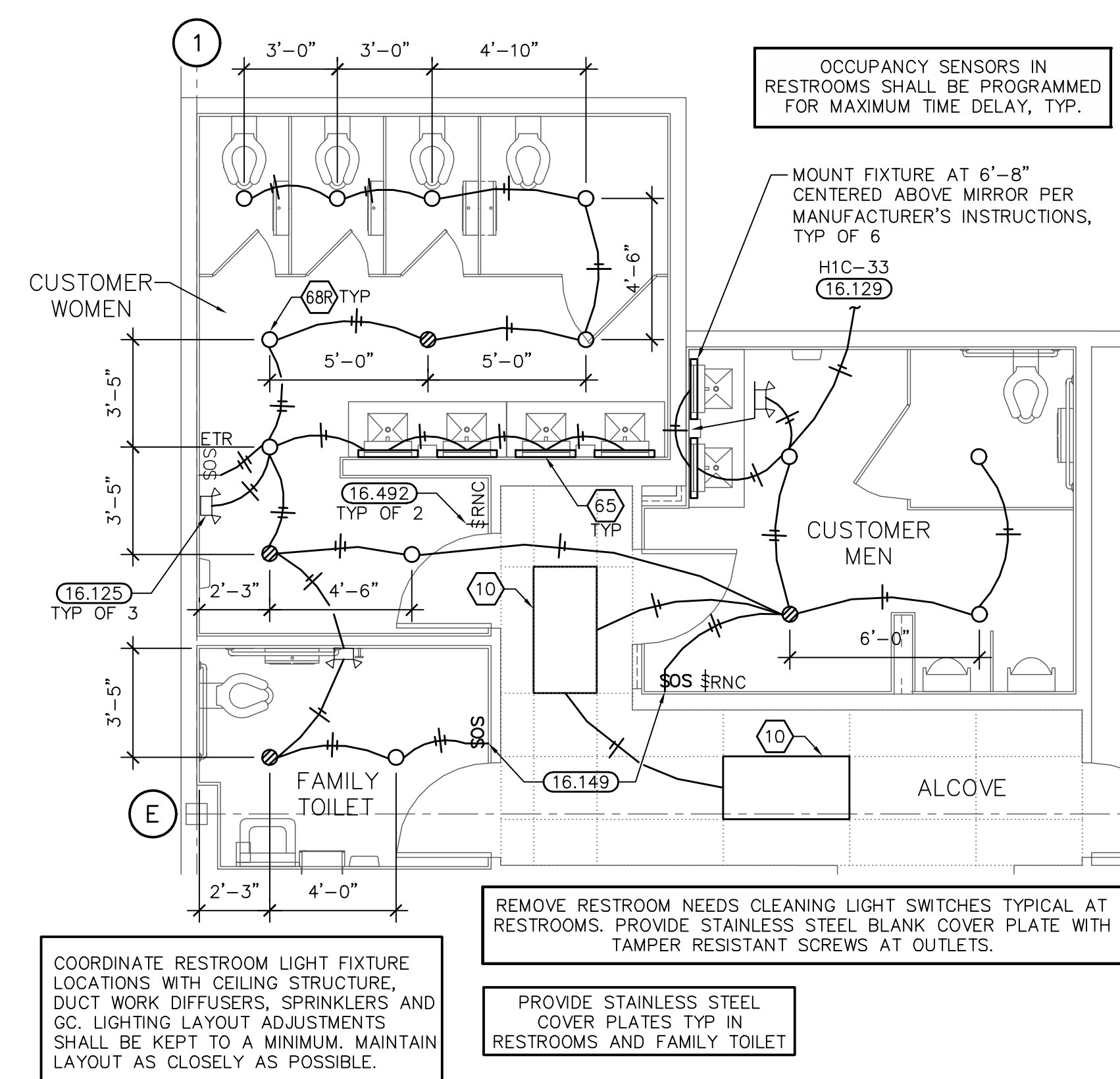


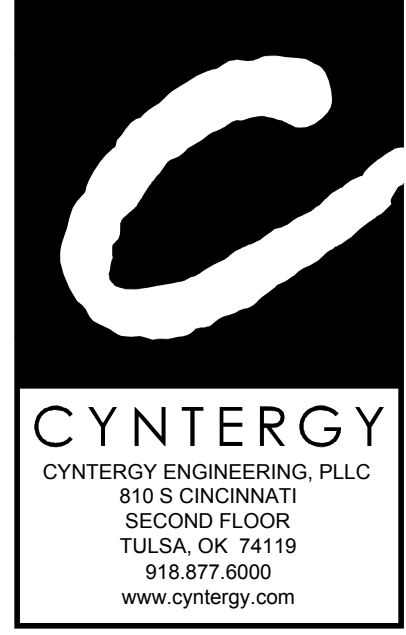
LIGHTING FIXTURE SCHEDULE

TYPE	FURNISHED BY	DESCRIPTION	VENDOR	CATALOG NUMBER	VOLTS	VA	COLOR TEMP	LIGHT SOURCE (LAMPS BY PHILIPS/GE)	LAMP QTY	MOUNTING
9	OWNER	2' X 2' VOLUMETRIC TROFFER	CREE	ZR22M-40L-40K-10V-FD	120/277	32	4000K	INTEGRAL LED	-	RECESSED
10	OWNER	2' X 4' VOLUMETRIC TROFFER	CREE	ZR24M-40L-40K-10V-FD	120/277	32	4000K	INTEGRAL LED	-	RECESSED
17	OWNER	EMERGENCY LIGHT	REXEL	EV4I	120/277	3	-	INTEGRAL LED	-	SURFACE
33	OWNER	8' SUSPENDED STRIP CONTINUOUS ROW	GE	LUS CB A 0 84 V1 T 35 VQ CS WHITE	120/277	60	3500K	INTEGRAL LED	-	SUSPENDED
65	OWNER	2' STRIP	REXEL	LLMS-2-L17/B35-S-SQ-DRV-UNV	120/277	17	3500K	INTEGRAL LED	-	SURFACE
68R	OWNER	CIRCULAR RECESSED DOWNLIGHT	CREE	LR6-10L-35K-277V w/RR6-277V	120/277	12	3500K	INTEGRAL LED	-	RECESSED



ELECTRICAL KEYNOTES

- 16.125 EXISTING LIGHT FIXTURES TO REMAIN UNLESS NOTED OTHERWISE.
- 16.126 EXISTING LIGHT FIXTURE TO BE DEMOLISHED.
- 16.129 CONNECT TO EXISTING CIRCUIT PREVIOUSLY SERVING AREA LIGHTING THAT WAS REMOVED. MAINTAIN EXISTING CIRCUIT CONTROL UNLESS NOTED OTHERWISE. PROVIDE CONSTANT HOT FOR EMERGENCY, EXIT, AND LOCALLY CONTROLLED LIGHT FIXTURES.
- 16.133 RELOCATE EXISTING LIGHT FIXTURES TO NEW LOCATION AS SHOWN.
- 16.149 REPLACE EXISTING LIGHT SWITCH WITH OCCUPANCY SENSOR.
- 16.451 PROVIDE EMT WITH PROPERLY INSTALLED COMPRESSION OR SET-SCREW TYPE FITTINGS AND AN INSULATED GROUND CONDUCTOR FOR ALL RACEWAYS SERVING THIS ROOM TO COMPLY WITH NEC, HEALTH CARE FACILITIES.
- 16.492 EC SHALL COORDINATE WITH GENERAL CONTRACTOR AND ARCHITECTURAL DEMOLITION PLANS THE EXTENT OF ELECTRICAL DEMOLITION. REMOVE CONDUITS AND WIRES ALL THE WAY BACK TO ORIGINATING JUNCTION BOXES OR PANELBOARDS. DEMOLITION SHALL NOT AFFECT ACTIVE CIRCUITS. LABEL DEMOLISHED CIRCUIT(S) IN PANELBOARDS AS "SPARE". COORDINATE EXACT REQUIREMENTS AND EXISTING CONDITIONS PRIOR TO BID.
- 16.900 PROVIDE BI-LEVEL LIGHTING BY ALTERNATING SWITCH LEGS BETWEEN LIGHT FIXTURES. (CHECKERBOARD)
- 16.503 REPLACE ALL LIGHT LENSES WITH NEW PRISMATIC ACRYLIC LENS FOR ALL LAY-IN LIGHT FIXTURES IN THIS AREA.



STIPULATION FOR REUSE
THIS DRAWING WAS PREPARED FOR USE ON A SPECIFIC SITE AT FORT WORTH, TX. CONTRACTORS SHALL VERIFY ITS USE DATE ON 02/12/18 AND IT IS NOT SUITABLE FOR USE ON A DIFFERENT PROJECT SITE OR AT A LATER TIME. THE USE OF THIS DRAWING FOR REFERENCE OR REUSE OF SERVICES OF PROVIDER IS UNAUTHORIZED AND MAY BE CONTRARY TO THE LAW.

Walmart Neighborhood Market
FORT WORTH, TX
STORE NO. 2979-211
JOB NUMBER: USM-006304 GENERAL REMODEL

ISSUE BLOCK

02/12/18	PERMIT/ BID
03/02/18	ADD #1

30 X 42 SHEET SET

CHECKED BY: BLW
DRAWN BY: NSW
PROTO: 52
PROTO CYCLE: 12/29/17
DOCUMENT DATE: 02/12/18

DOCUMENTS WITHOUT SIGNATURE AND REQUIRED SEAL OF AOR/EOR ARE NOT FOR CONSTRUCTION

ERIC KEISTERSON, P.E.
ENGINEER OF RECORD
CA # F-2220

ENLARGED PLANS, DETAILS AND SCHEDULES

SHEET: **E1.1**