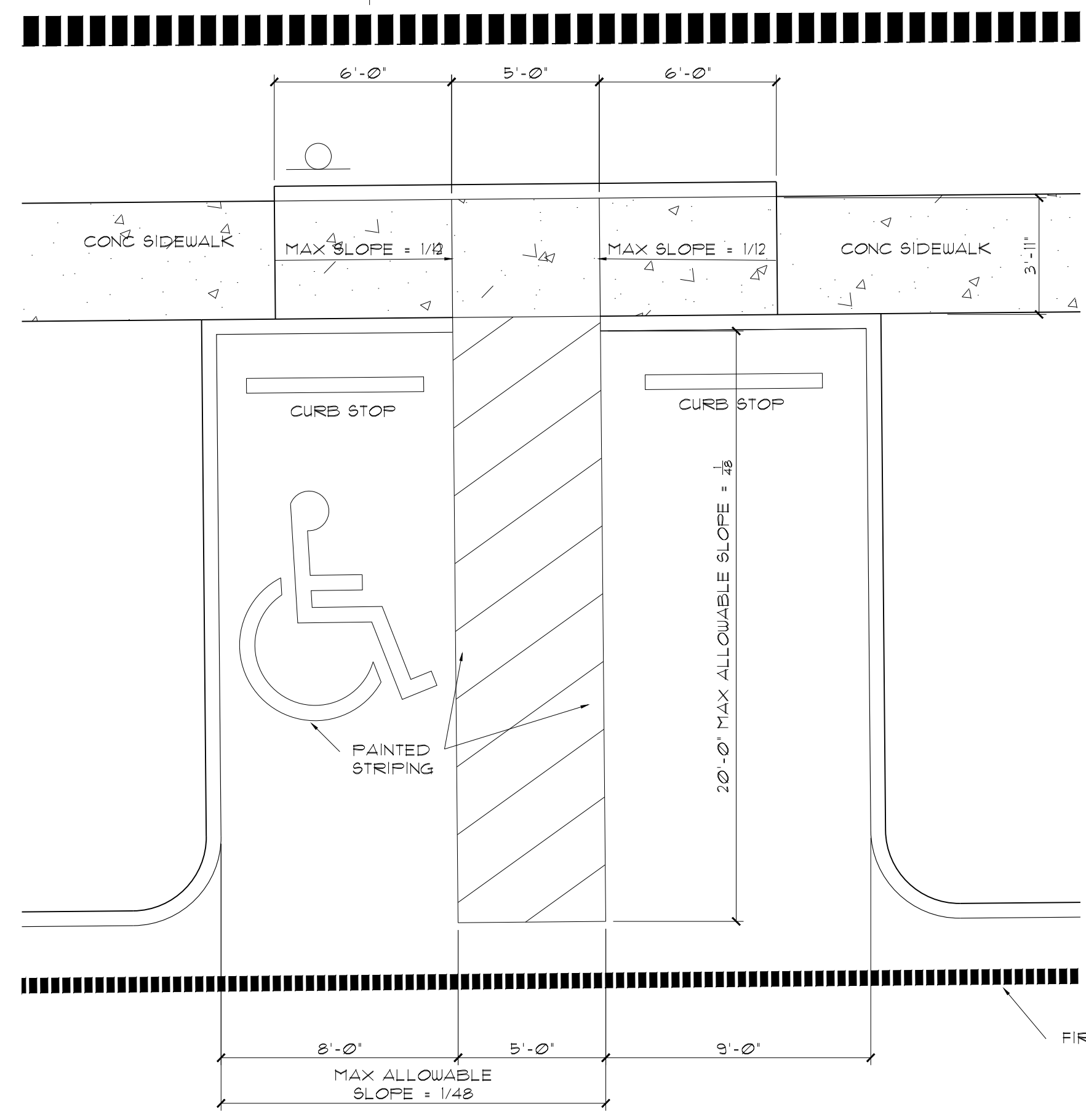
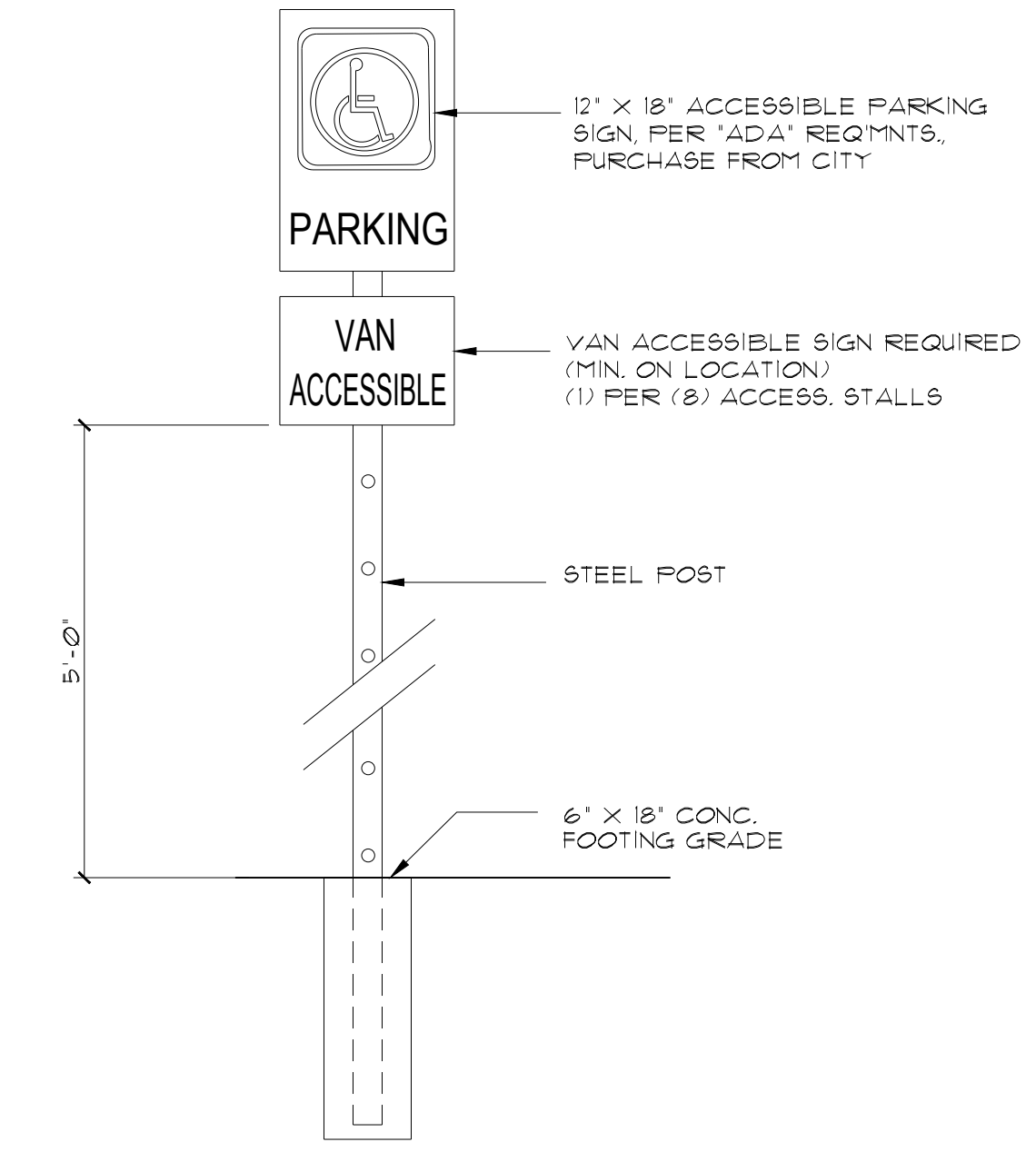


2 HC PARKING  
SCALE: 1/4" = 1'-0"

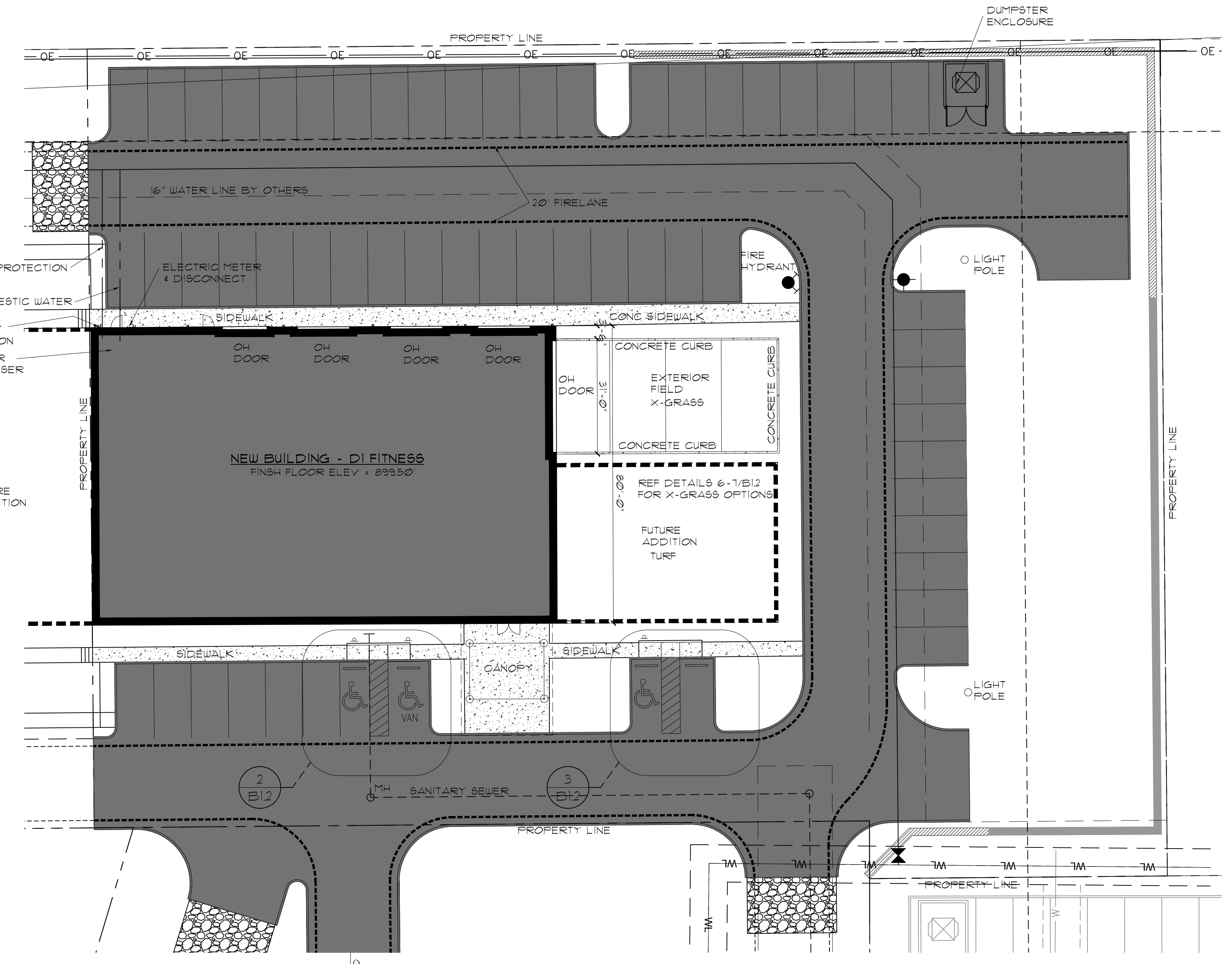


3 HC PARKING  
SCALE: 1/4" = 1'-0"

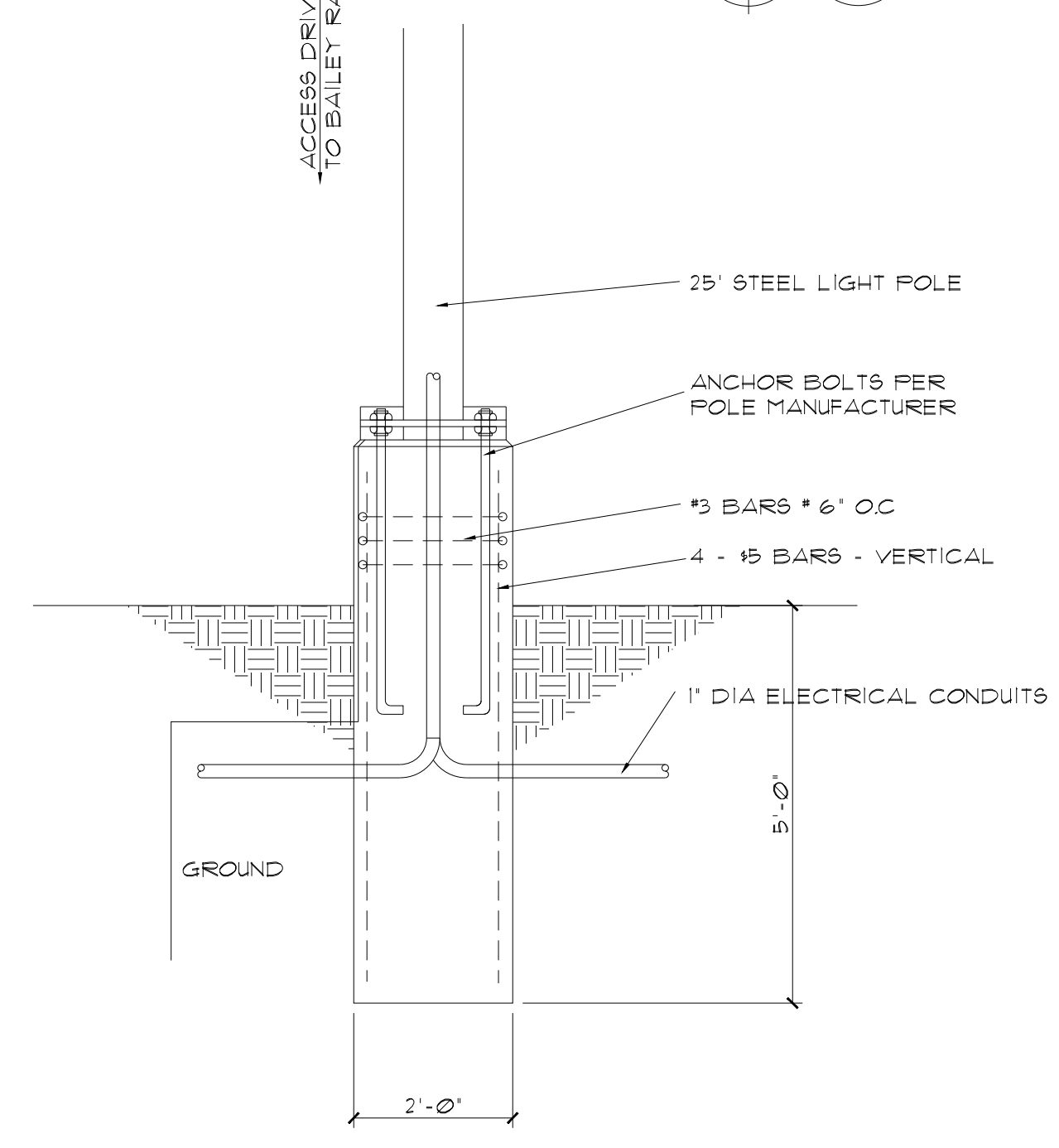
INTERNATIONAL SYMBOL OF ACCESSIBILITY



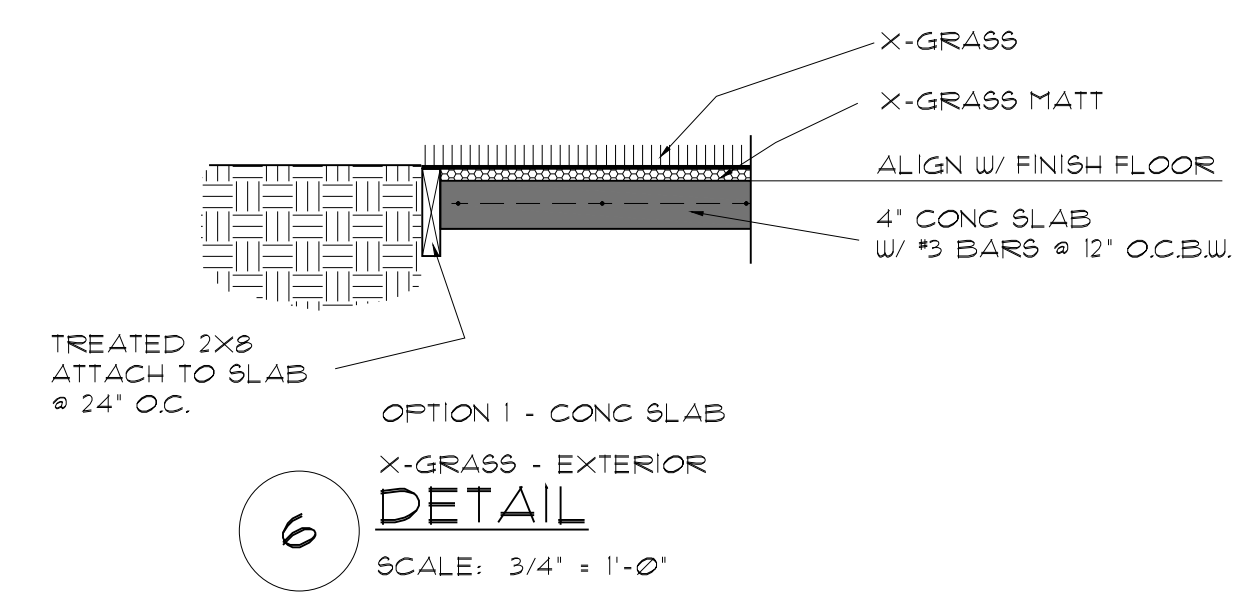
4 ACCESSIBLE PARKING SIGN  
SCALE: NTS



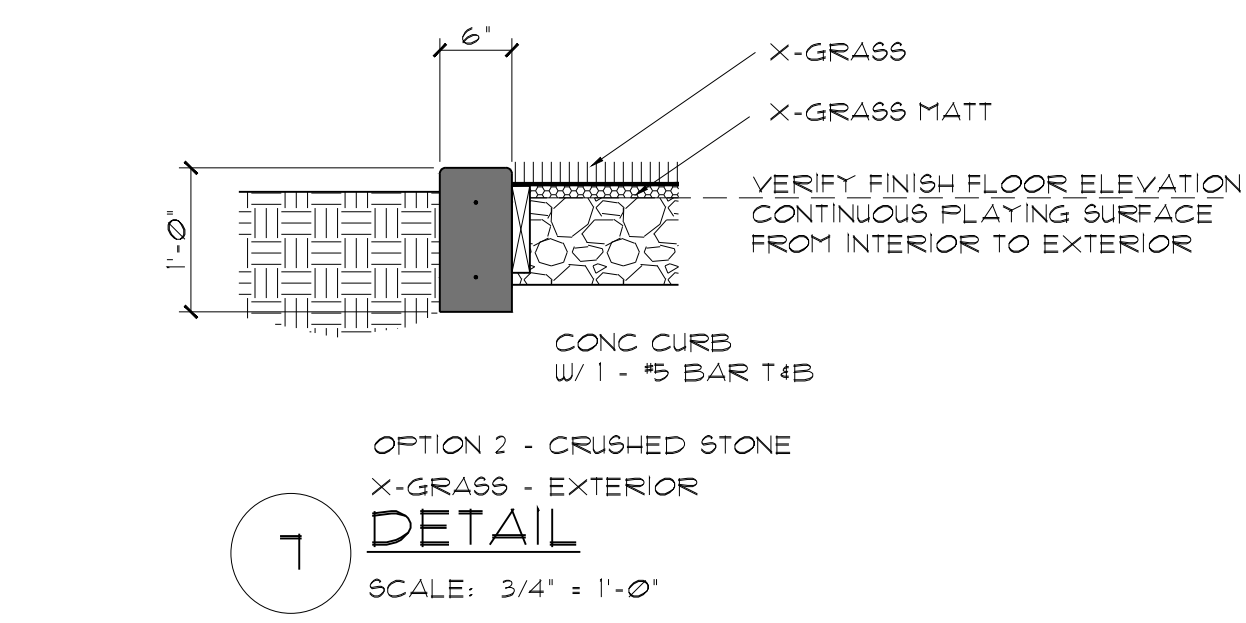
1 SITE PLAN  
SCALE: 1" = 20'-0"



5 LIGHT POLE  
SCALE: 1/2" = 1'-0"



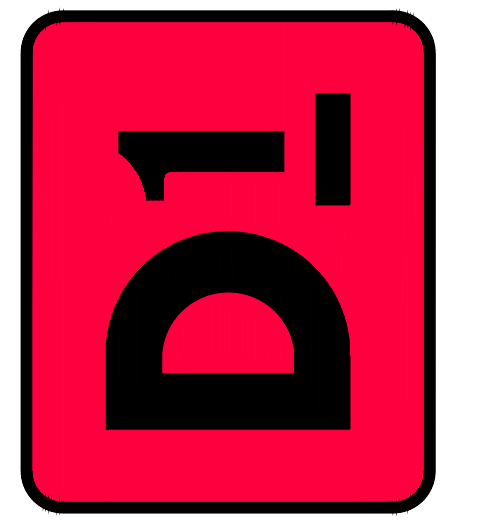
6 DETAIL  
SCALE: 3/4" = 1'-0"



7 DETAIL  
SCALE: 3/4" = 1'-0"

**D1 FITNESS CENTER**  
THE GROVES OF ALEDO

ALEDO, TEXAS



SITE PLAN

REVISIONS

DRAWN BY: RAS PROJ. MGR.: RAS  
DATE: FEBRUARY 9, 2018 PROJ. NO:

SHEET NO.

**B1.2**