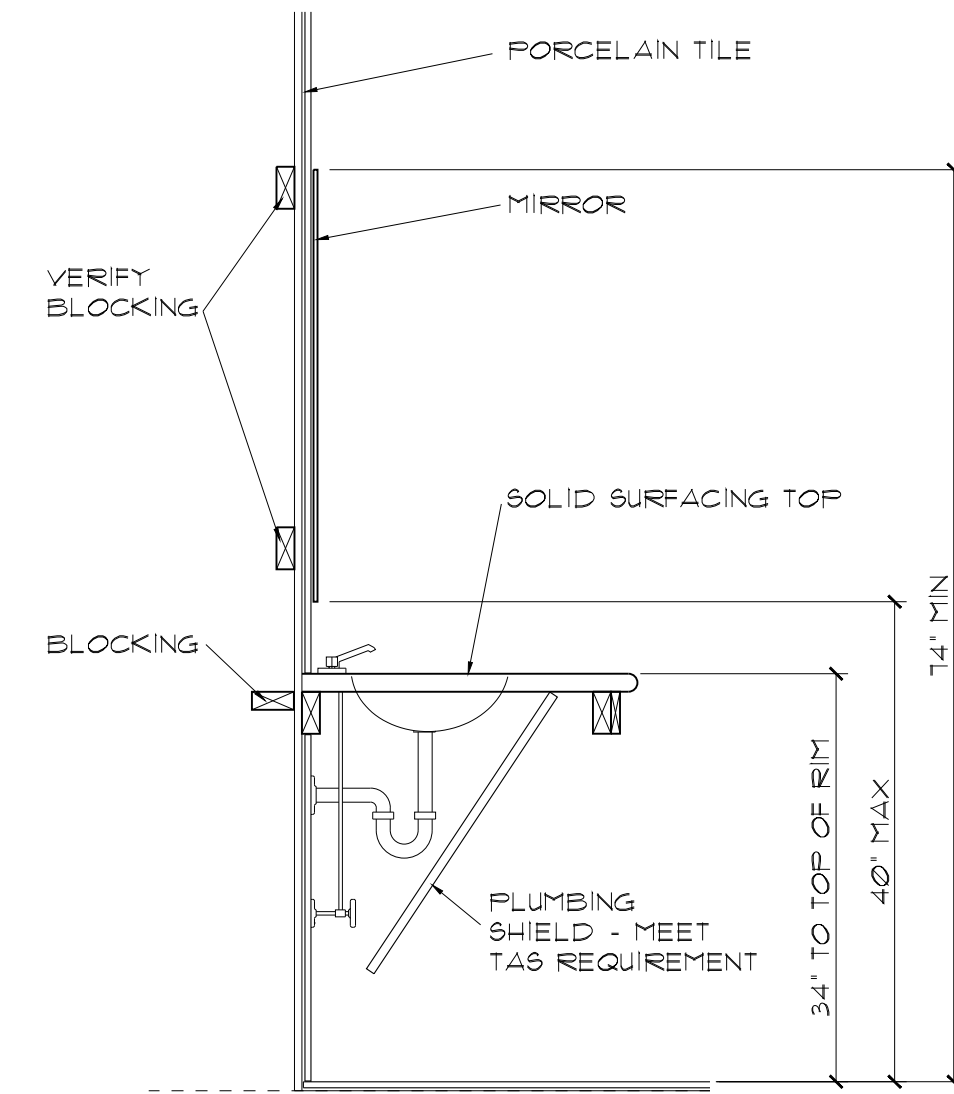
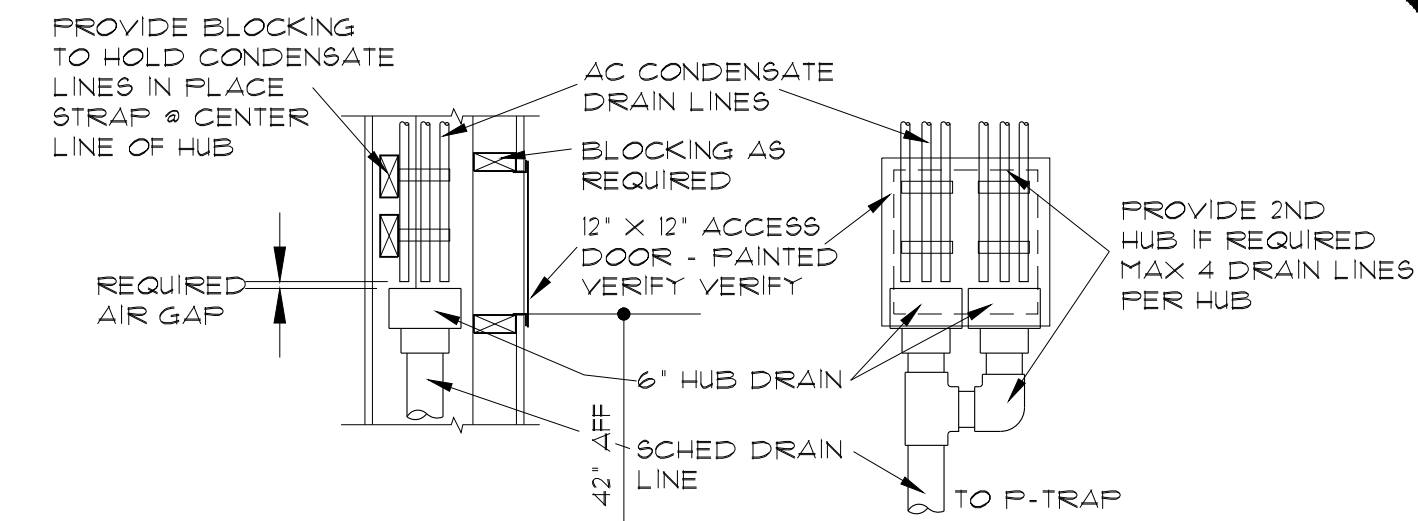


1 LOBBY - RECEPTION
SCALE: 1/2" = 1'-0"

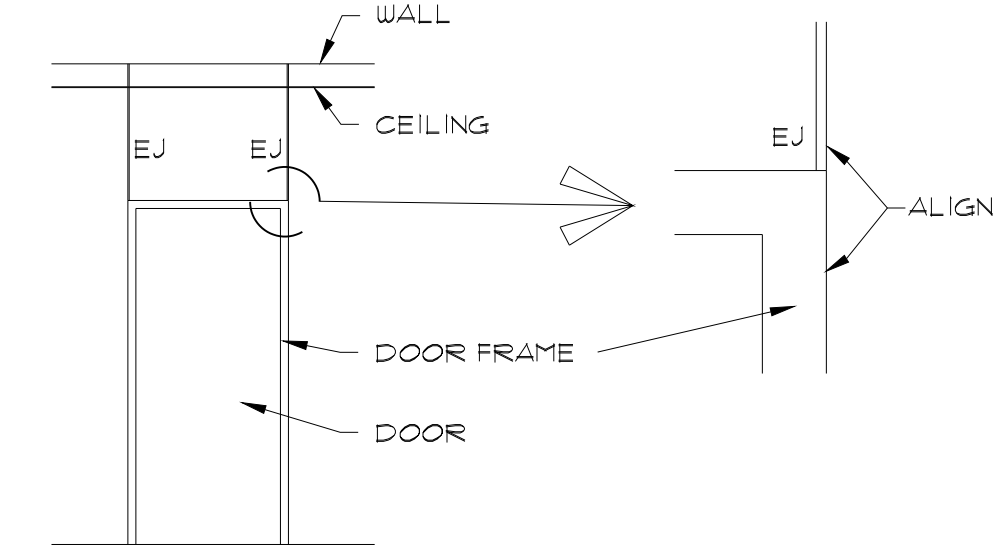


4 LAVATORY SECTION
SCALE: 3/4" = 1'-0"

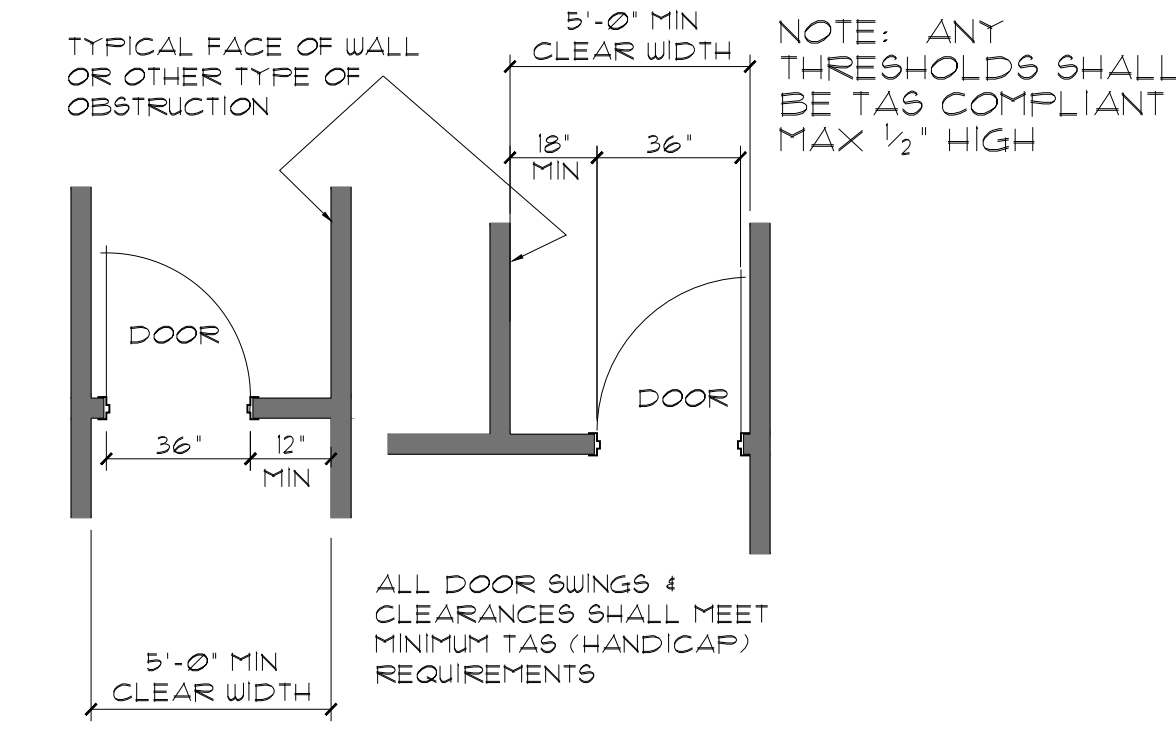


5 AC CONDENSATE HUB DRAIN
SCALE: 3/4" = 1'-0"

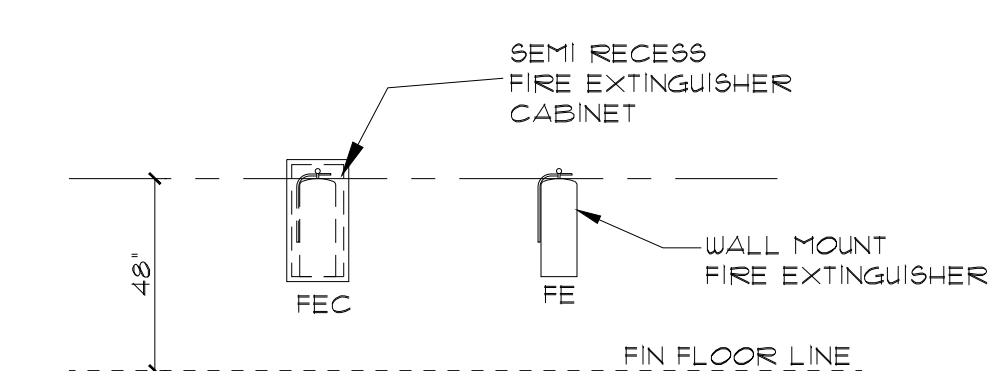
NOTE: ALL DOORS BOTH TOP & BOTTOM EDGES OF ALL DOOR PANELS SHALL BE SANDED SMOOTH, FINISHED & SEALED TO MATCH DOOR FACE PRIOR TO THE INSTALLATION OF THE DOOR - NO EXCEPTIONS



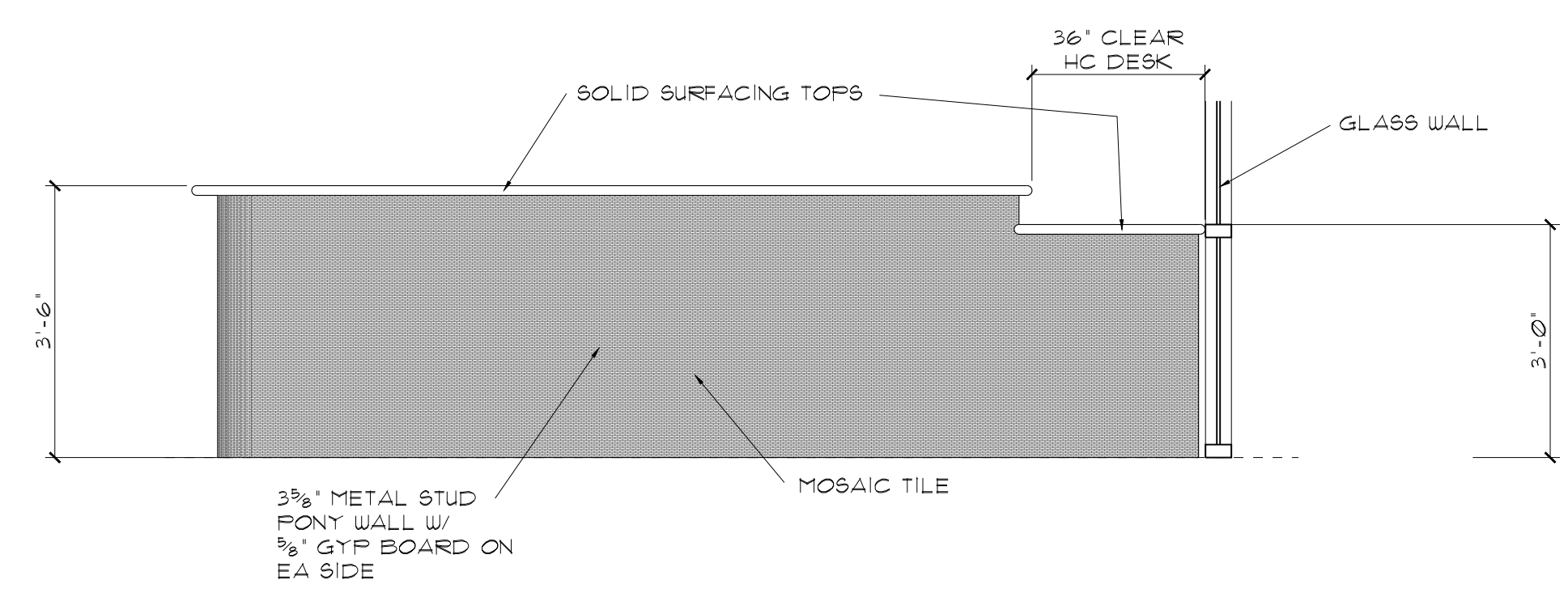
6 TYP DOOR & WINDOW EXPANSION JOINT
SCALE: 1/4" = 1'-0"



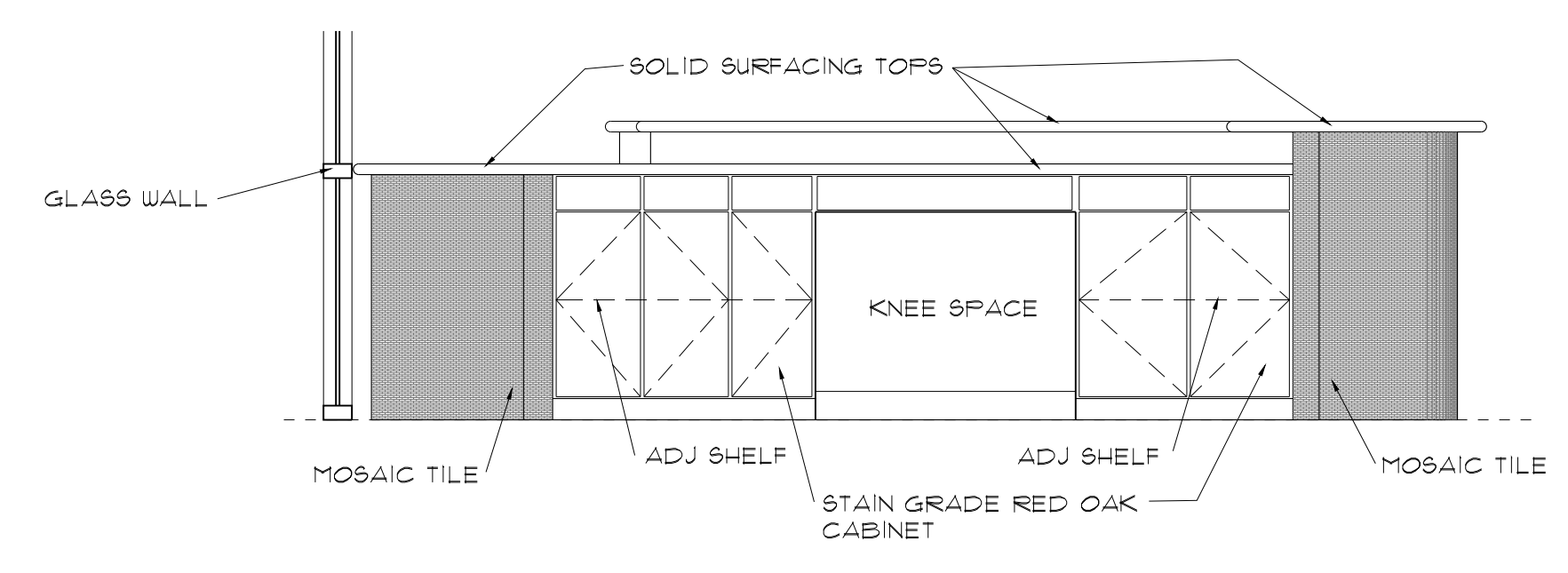
7 TYPICAL - HANDICAP DOOR LAY-OUT
SCALE: 1/8" = 1'-0"



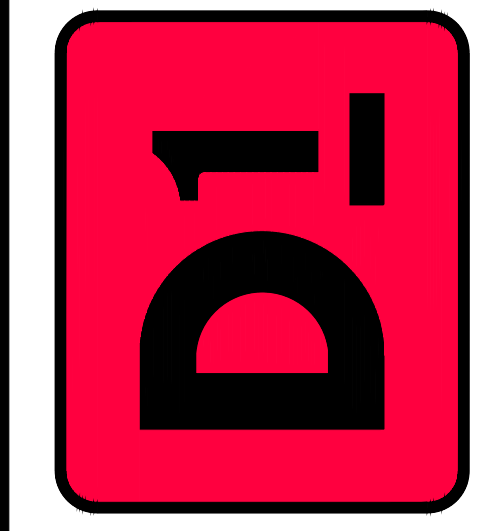
8 FIRE EXTINGUISHERS
SCALE: 1/4" = 1'-0"



2 RECEPTION DESK
SCALE: 1/2" = 1'-0"



3 RECEPTION DESK
SCALE: 1/2" = 1'-0"



REVISIONS

DRAWN BY: **RAS** PROJ. MGR.: **RAS**
DATE: FEBRUARY 9, 2018 PROJ. NO.:

SHEET NO.

A1.3