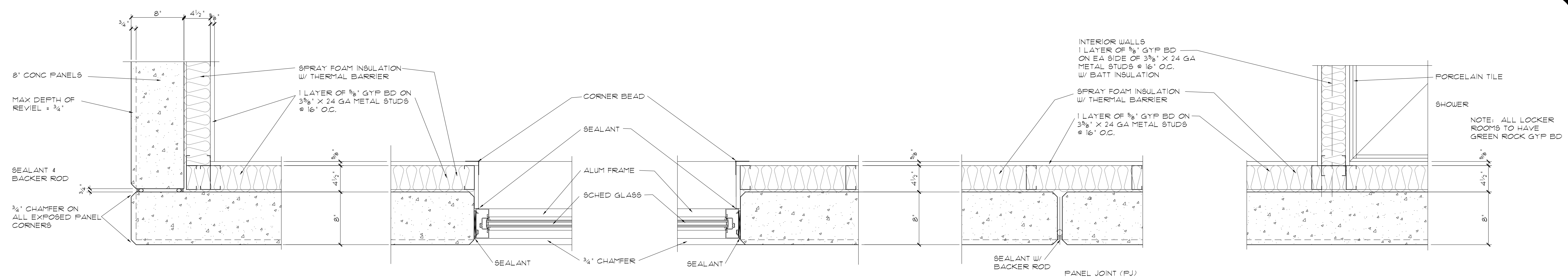




STUCKEY ARCHITECTS
 ARCHITECTURE PLANNING INTERIORS
 208 N. MAIN STREET, SUITE 140
 WEATHERFORD, TEXAS 76086
 TELEPHONE: (817) 341-0754
 FAX: (817) 341-0755
 EMAIL: ras@stuckeyarchitects.com



FEBRUARY 9, 2018
 ROBERT A. STUCKEY
 ARCHITECT, TEXAS #3093



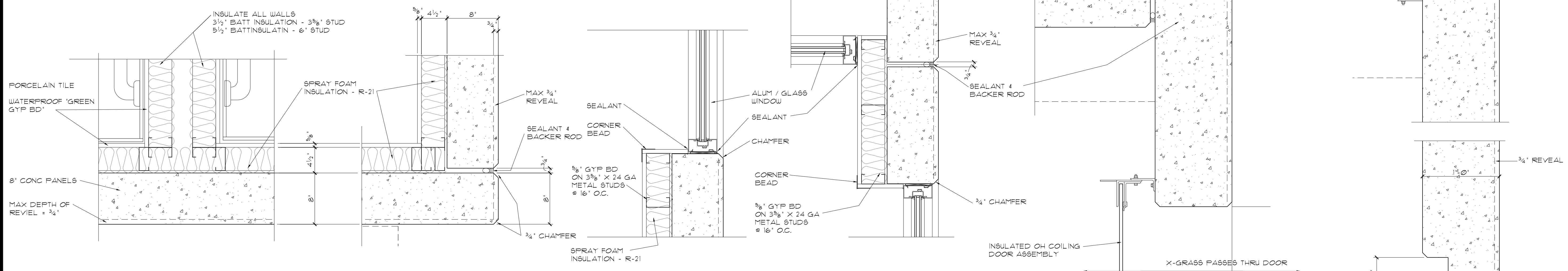
1 PLAN DETAIL
 SCALE: 1/2" = 1'-0"

2 PLAN DETAIL
 SCALE: 1/2" = 1'-0"

3 PLAN DETAIL
 SCALE: 1/2" = 1'-0"

4 PLAN DETAIL
 SCALE: 1/2" = 1'-0"

5 PLAN DETAIL
 SCALE: 1/2" = 1'-0"



6 PLAN DETAIL
 SCALE: 1/2" = 1'-0"

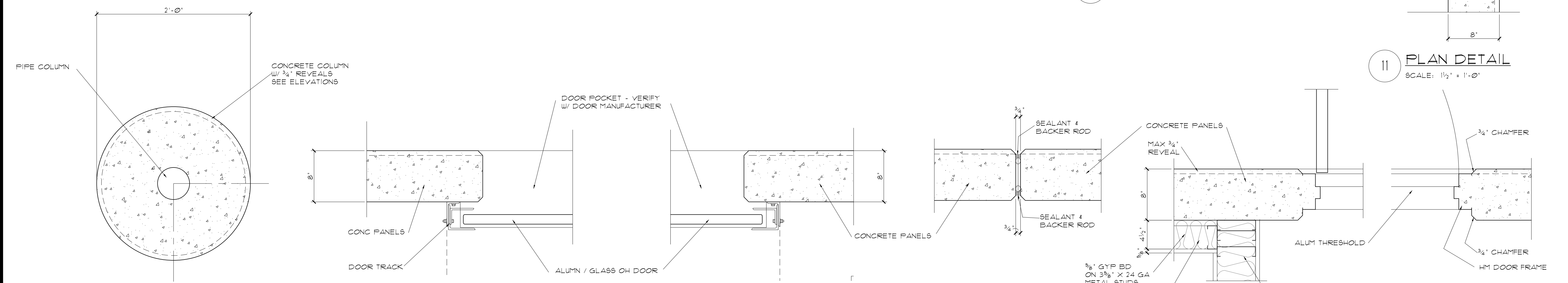
7 PLAN DETAIL
 SCALE: 1/2" = 1'-0"

8 PLAN DETAIL
 SCALE: 1/2" = 1'-0"

9 PLAN DETAIL
 SCALE: 1/2" = 1'-0"

10 PLAN DETAIL
 SCALE: 1/2" = 1'-0"

11 PLAN DETAIL
 SCALE: 1/2" = 1'-0"



12 PLAN DETAIL
 SCALE: 1/2" = 1'-0"

13 PLAN DETAIL
 SCALE: 1/2" = 1'-0"

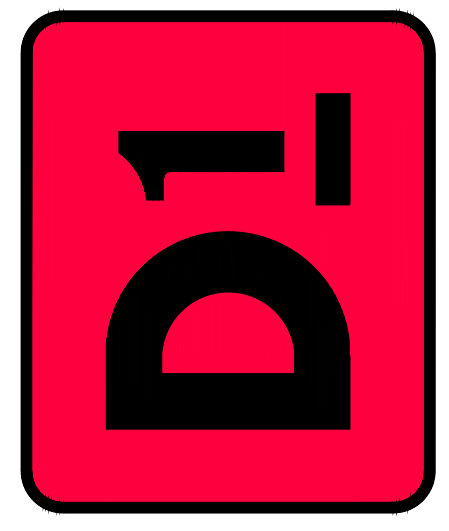
14 PLAN DETAIL
 SCALE: 1/2" = 1'-0"

15 PLAN DETAIL
 SCALE: 1/2" = 1'-0"

16 PLAN DETAIL
 SCALE: 1/2" = 1'-0"

17 PLAN DETAIL
 SCALE: 1/2" = 1'-0"

D1 FITNESS CENTER
 THE GROVES OF ALEDO



PLAN DETAILS

REVISIONS

DRAWN BY: RAS PROJ. MGR.: RAS
 DATE: FEBRUARY 9, 2018 PROJ. NO:

SHEET NO.

A1.4

SHEET
 14 OF 35