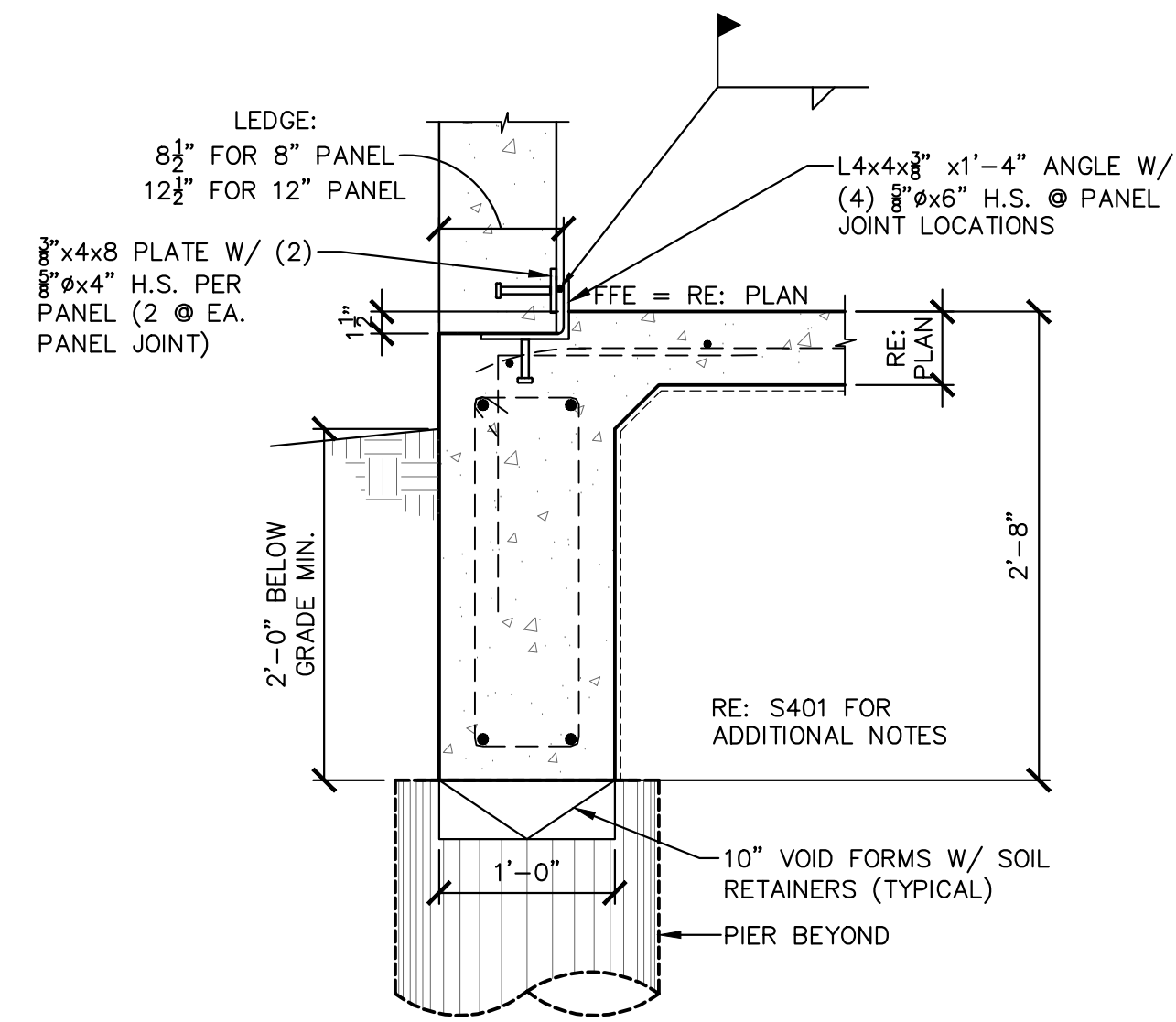
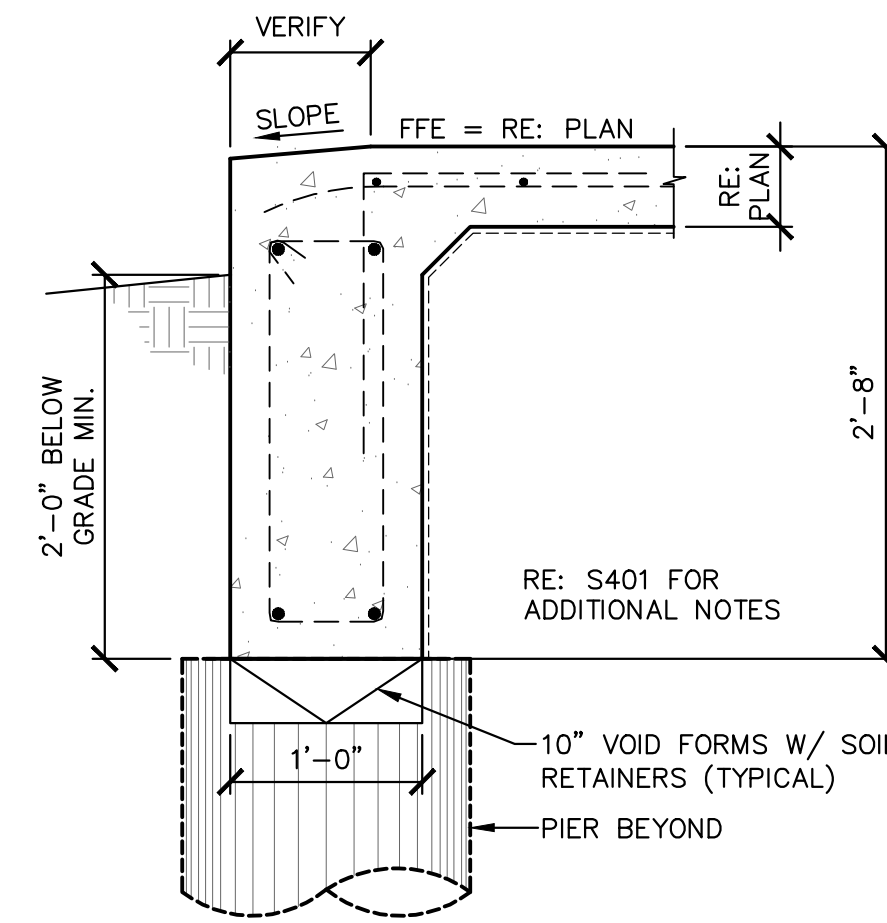


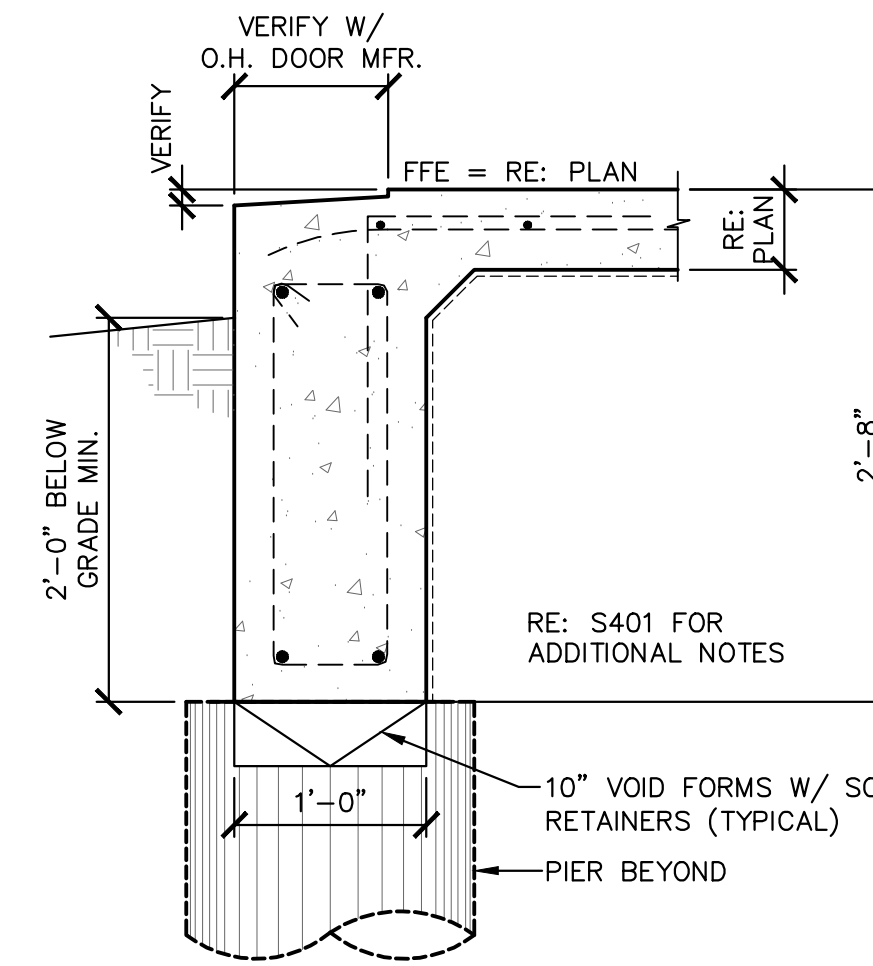
S401 SECTION @ STORE FRONT  
1" = 1'-0"



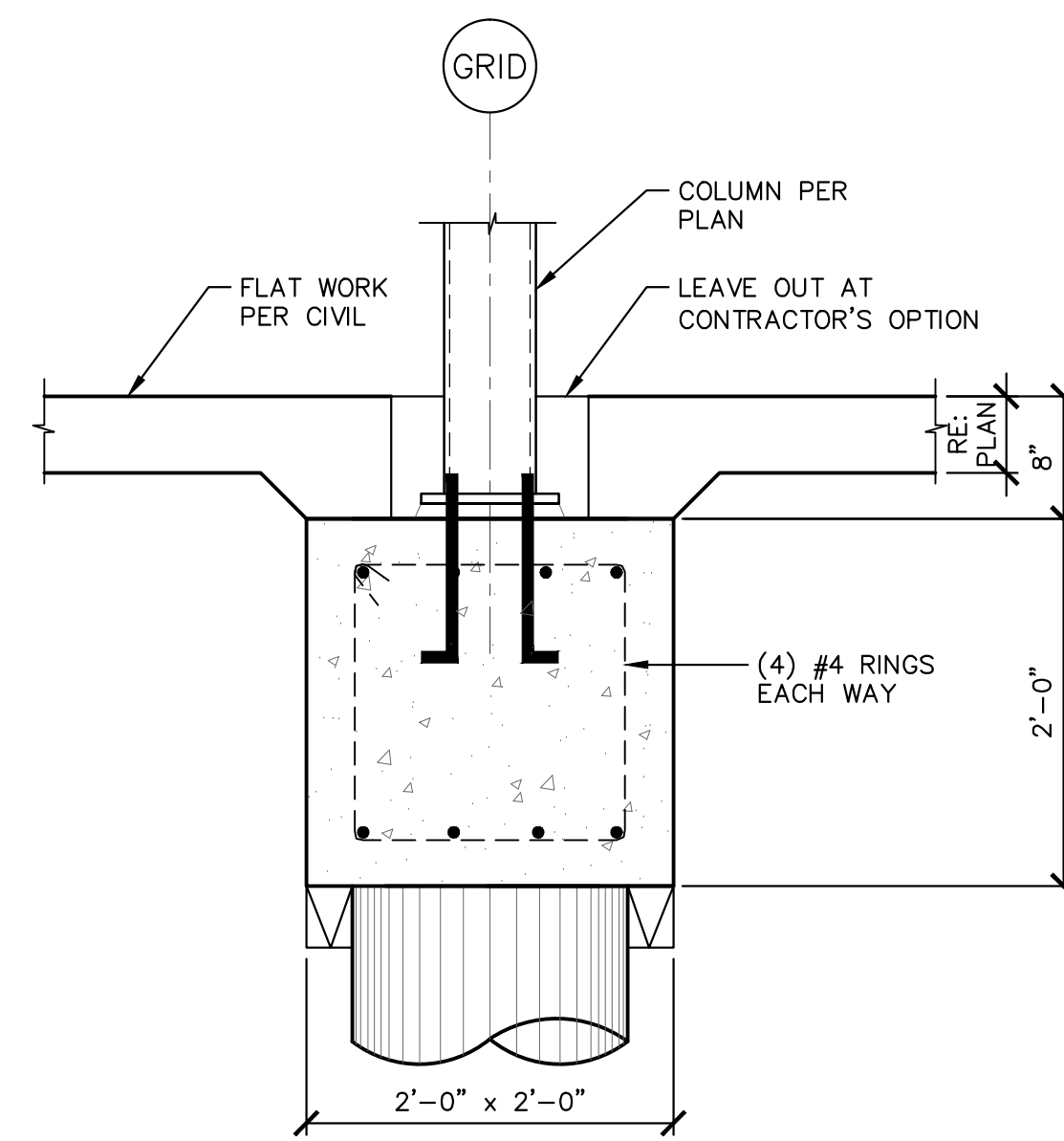
S402 SECTION  
1" = 1'-0"



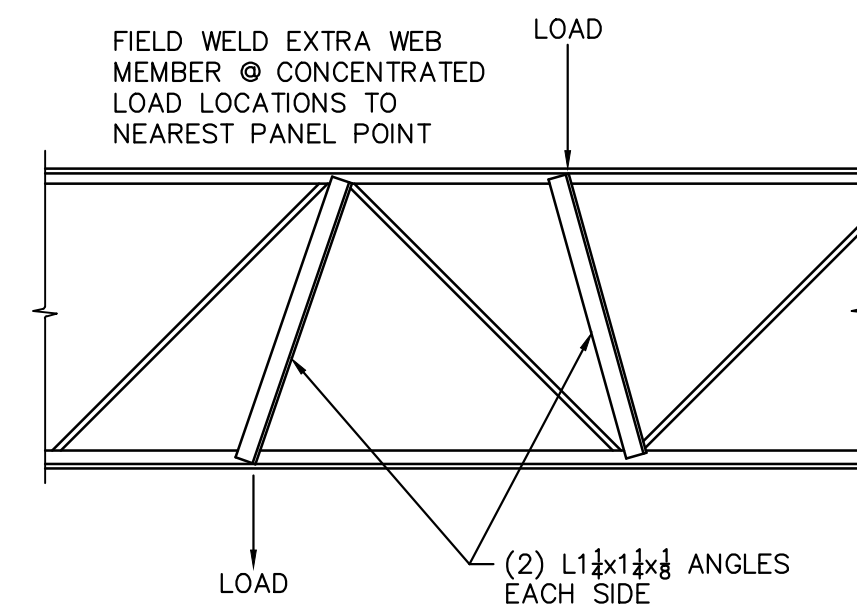
S403 SECTION @ PERSONNEL DOOR  
1" = 1'-0"



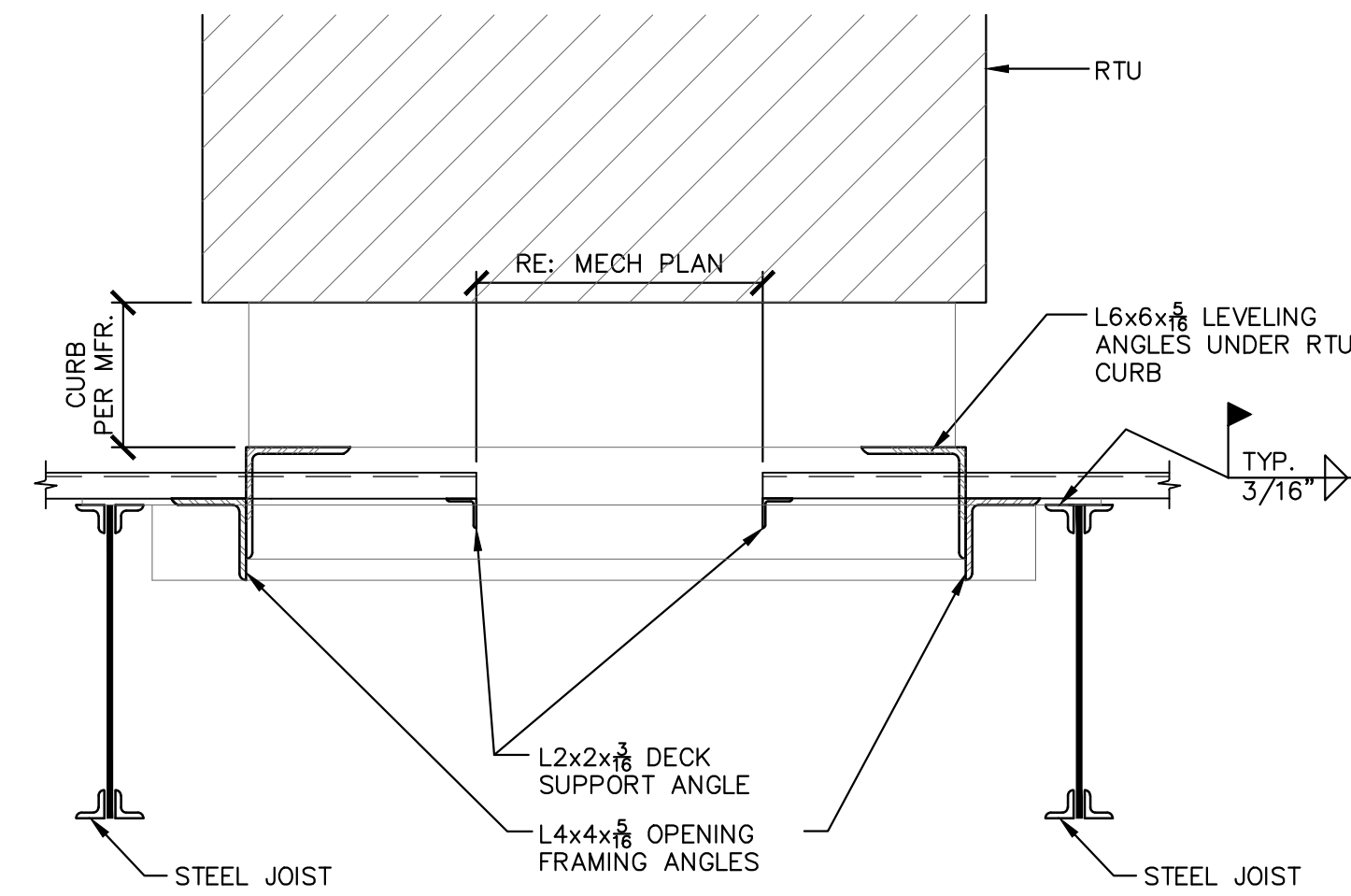
S404 SECTION @ O.H. DOOR  
1" = 1'-0"



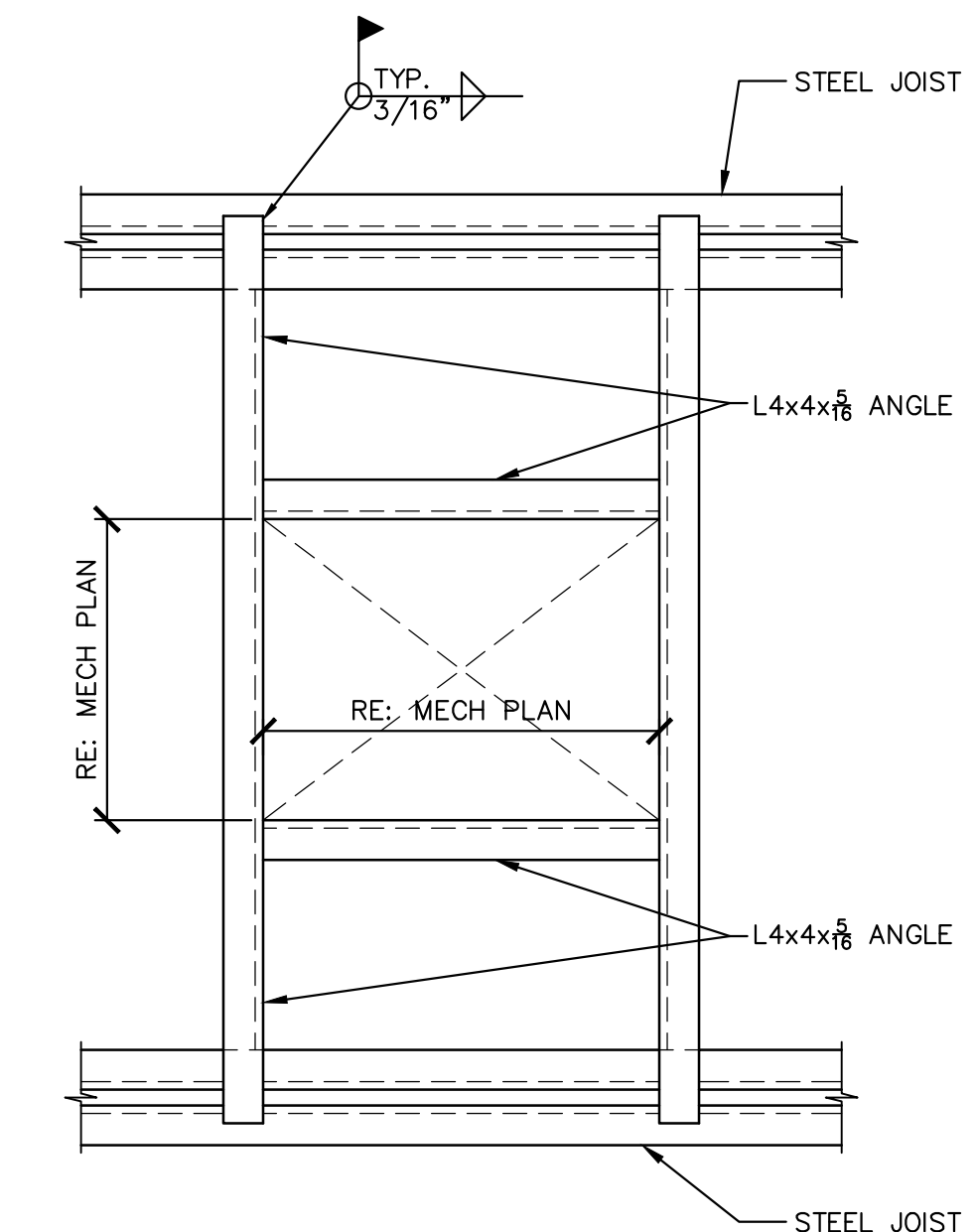
S405 SECTION  
1" = 1'-0"



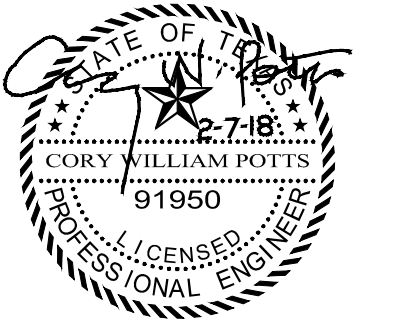
S406 SECTION  
1" = 1'-0"



S407 SECTION  
1" = 1'-0"



S408 SECTION  
1" = 1'-0"



FOUNDATION DETAILS

REVISIONS

DRAWN BY: JMS PROJ. NO.: CWP  
DATE: 8/7/2018 PROJ. NO.:

SECRET NO.

S4

SECRET  
OF