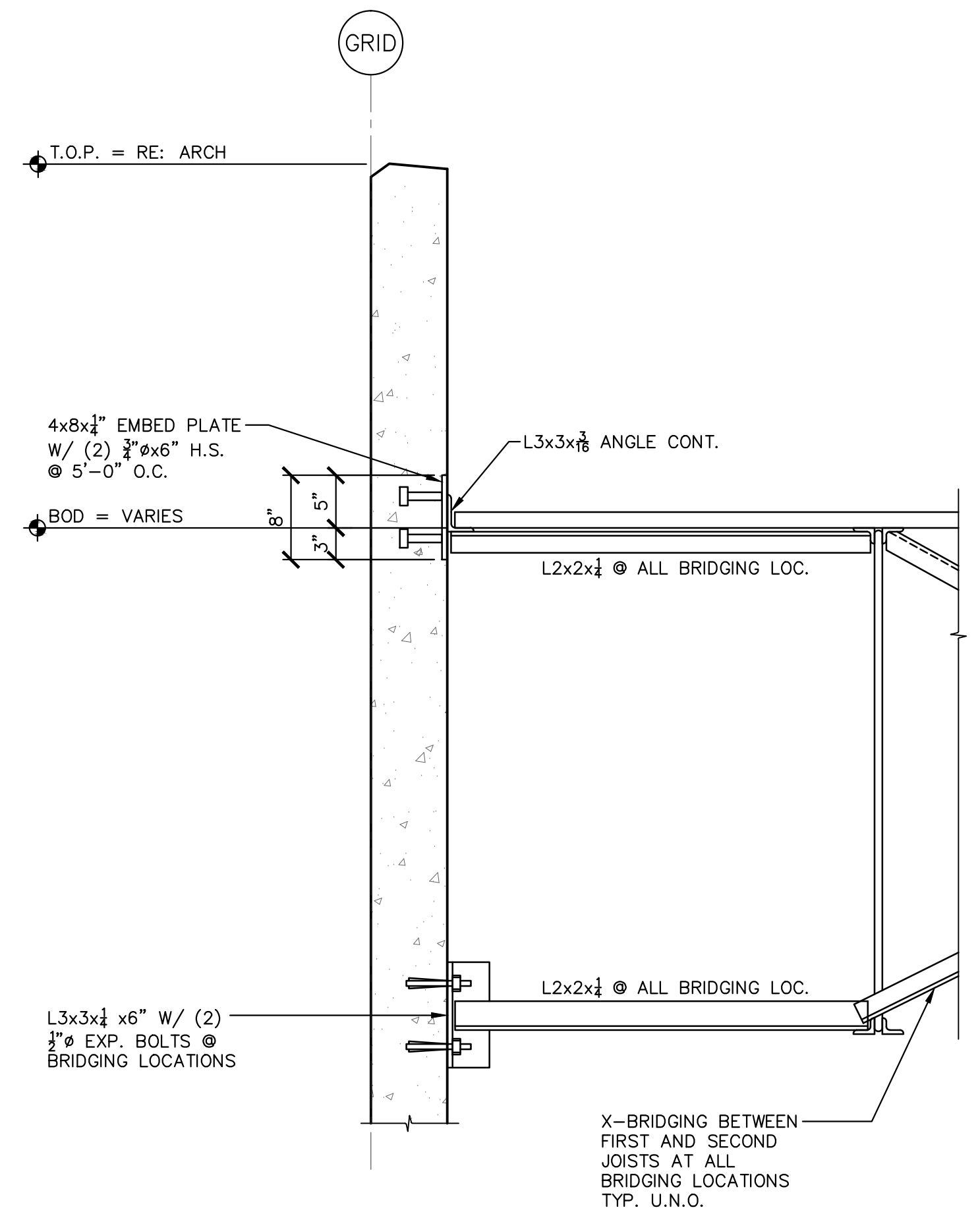
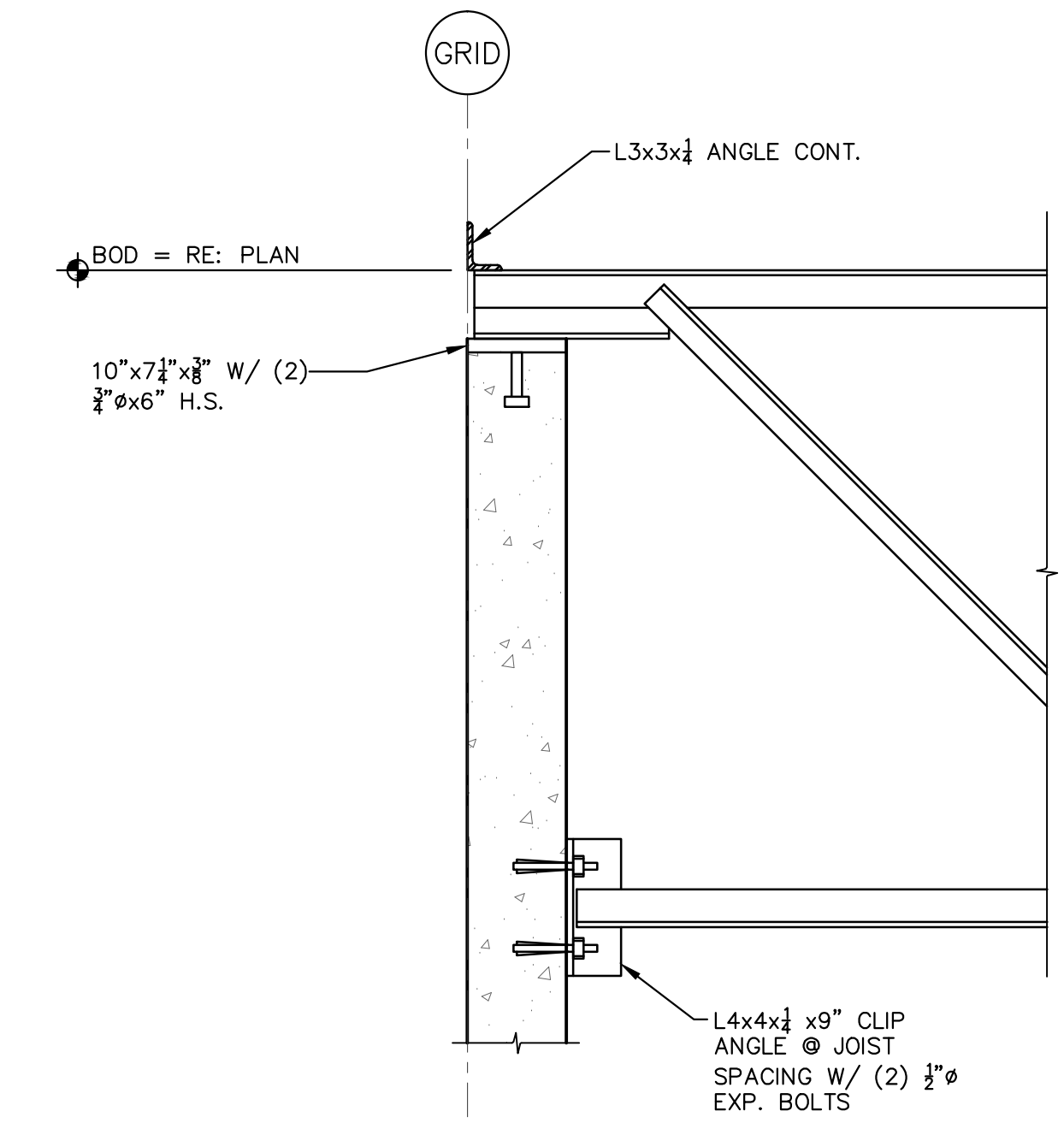


NOTES:
 1. DO NOT WELD BOTT. CHORDS UNTIL DEAD LOAD IS IN PLACE.
 2. JOIST AND ROOF DECK NOT SHOWN FOR CLARITY.

S501 TYP. STEEL JOIST TO PANEL CONNX.
 1" = 1'-0"

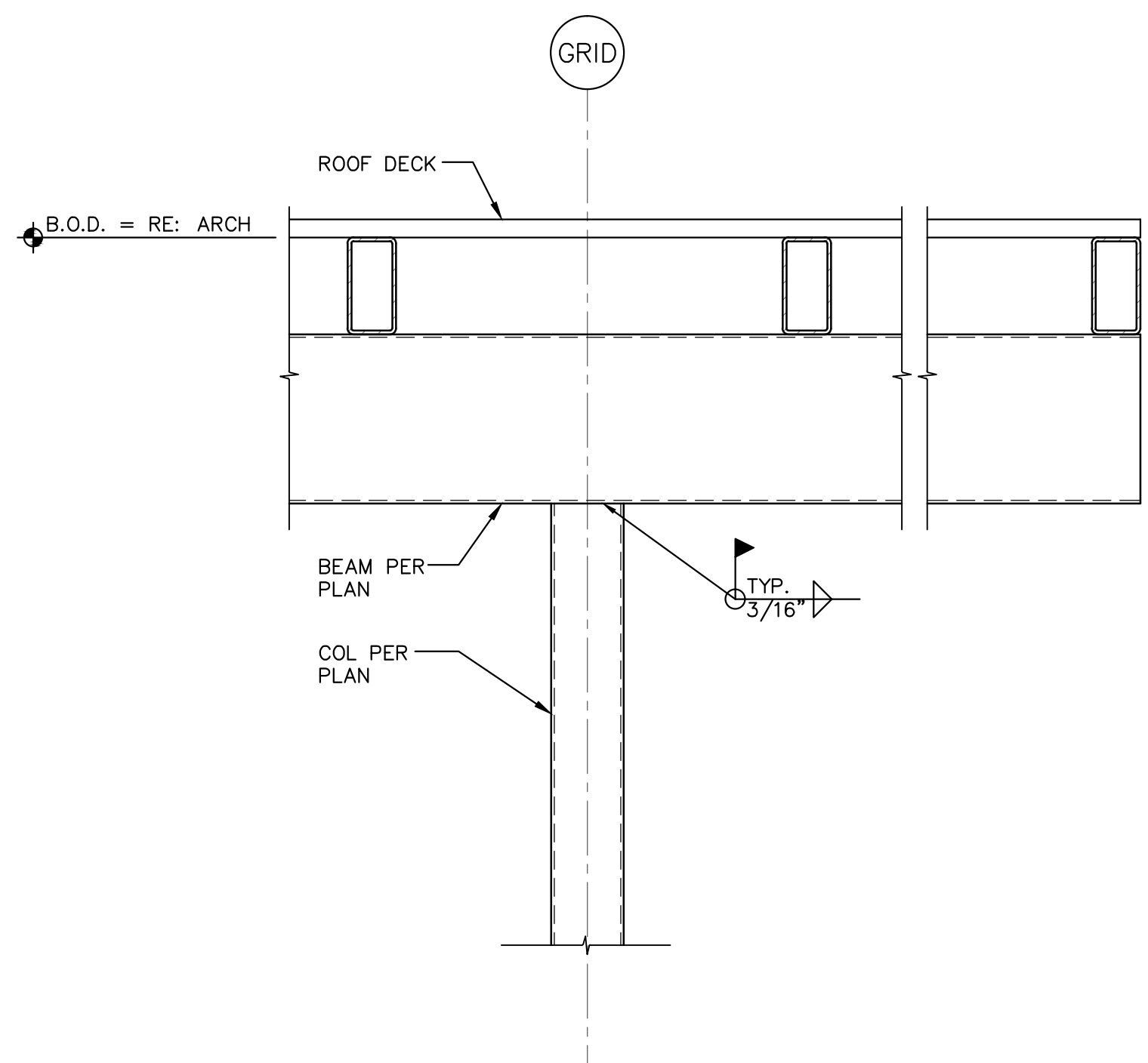


S502 TYP. X-BRIDGING TO PANEL DETAIL
 1" = 1'-0"

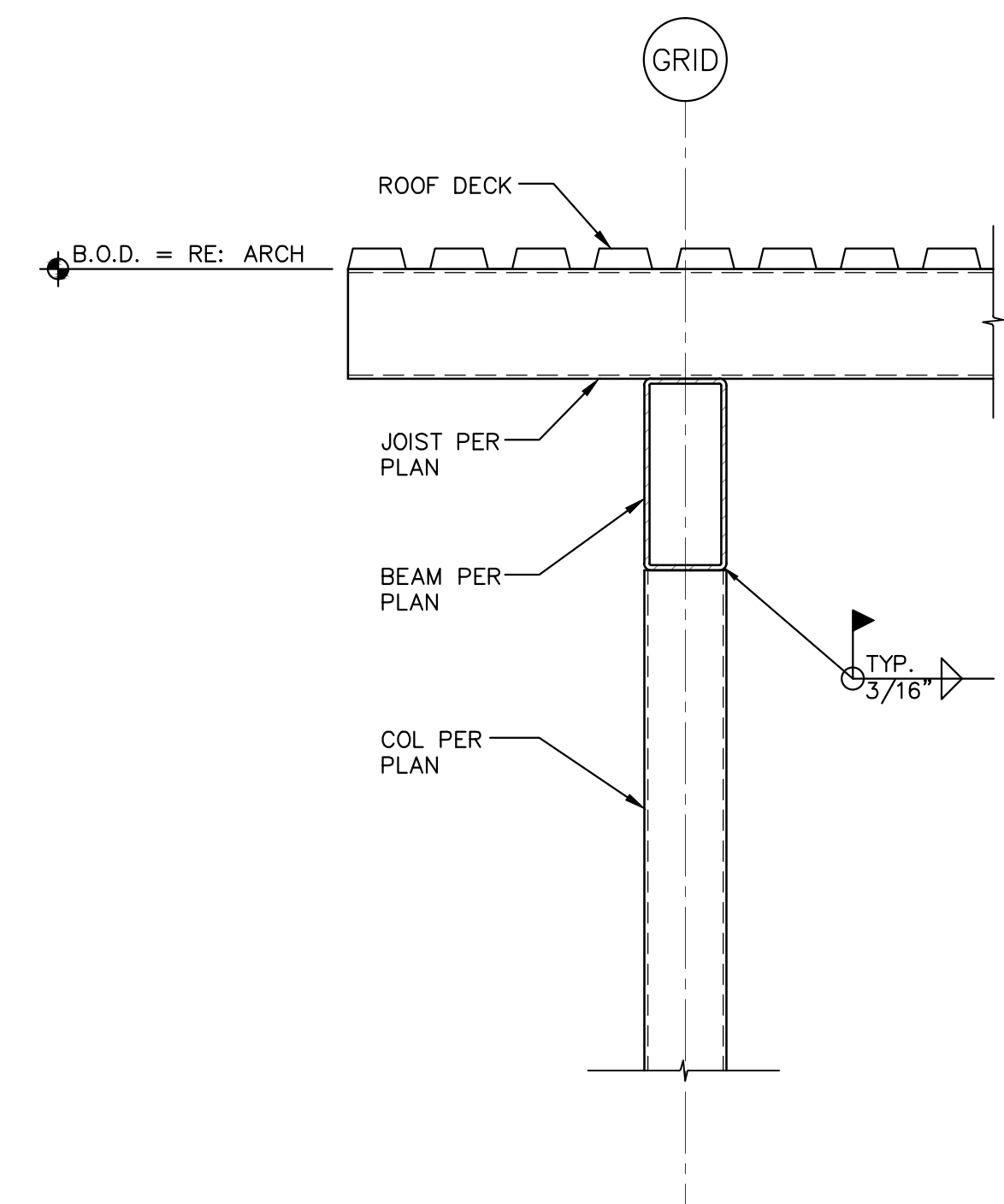


NOTES:
 1. DO NOT WELD BOTT. CHORDS UNTIL DEAD LOAD IS IN PLACE.
 2. JOIST AND ROOF DECK NOT SHOWN FOR CLARITY.

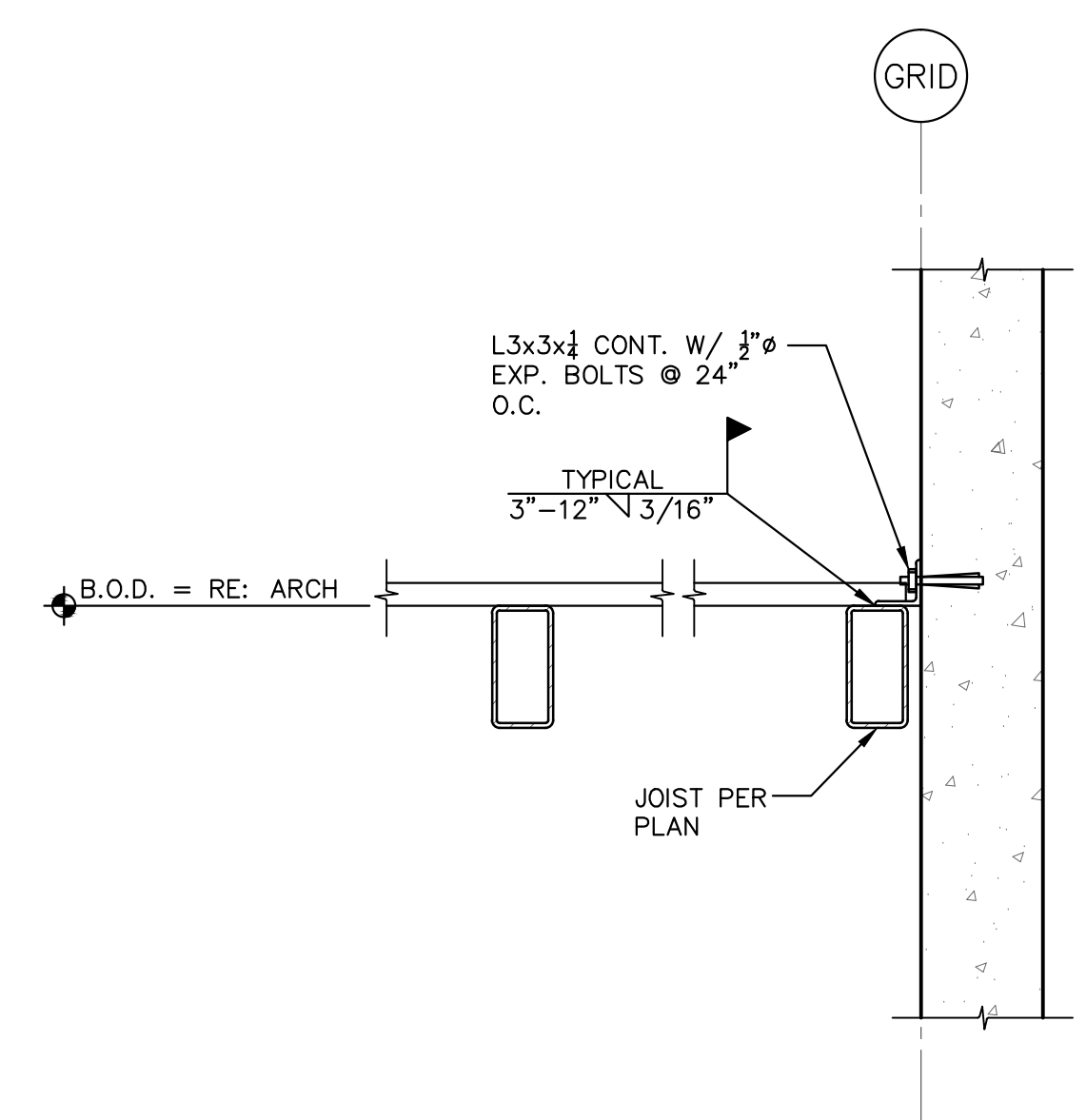
S503 SECTION
 1" = 1'-0"



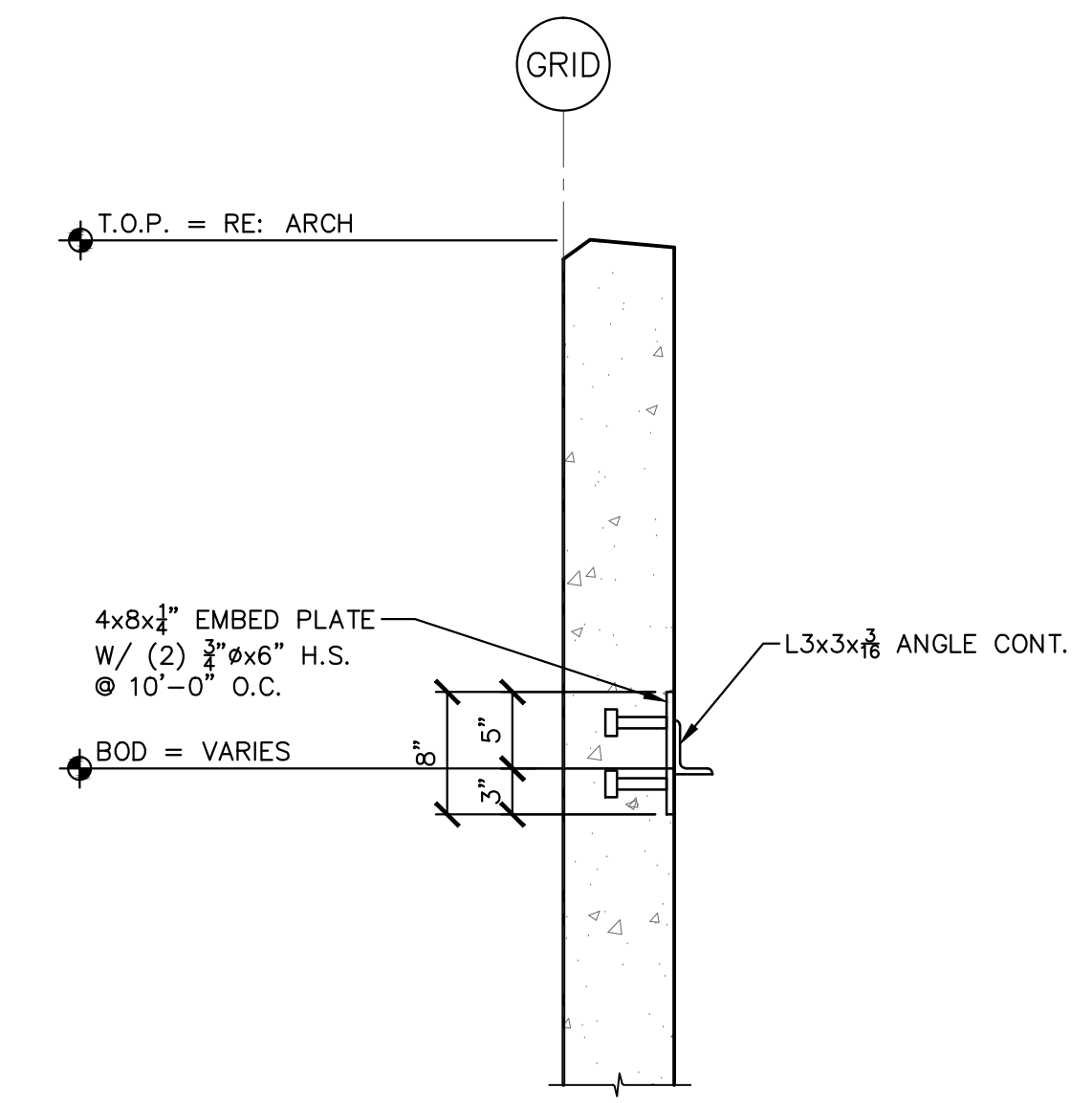
S504 SECTION
 1" = 1'-0"



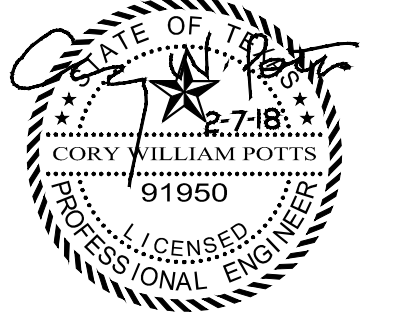
S505 SECTION
 1" = 1'-0"



S506 SECTION
 1" = 1'-0"



S507 SECTION @ DECK ANGLE
 1" = 1'-0"



D1 FITNESS
ALEDO RETAIL
 ALEDO, TEXAS

FRAMING DETAILS

REVISIONS

DRAWN BY: JMS PROJ. MGR.: CWP
 DATE: 8/7/2018 PROJ. NO.:

SECRET NO.

S5

SECRET
 OF