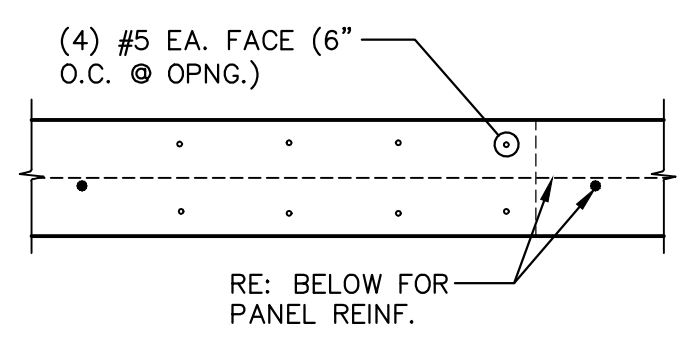
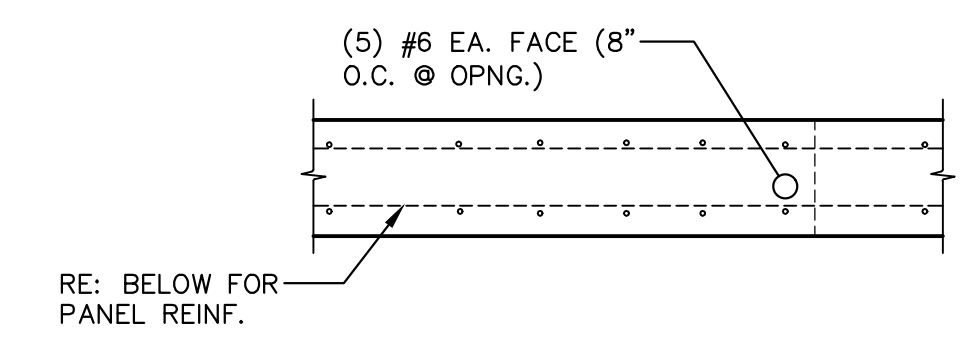


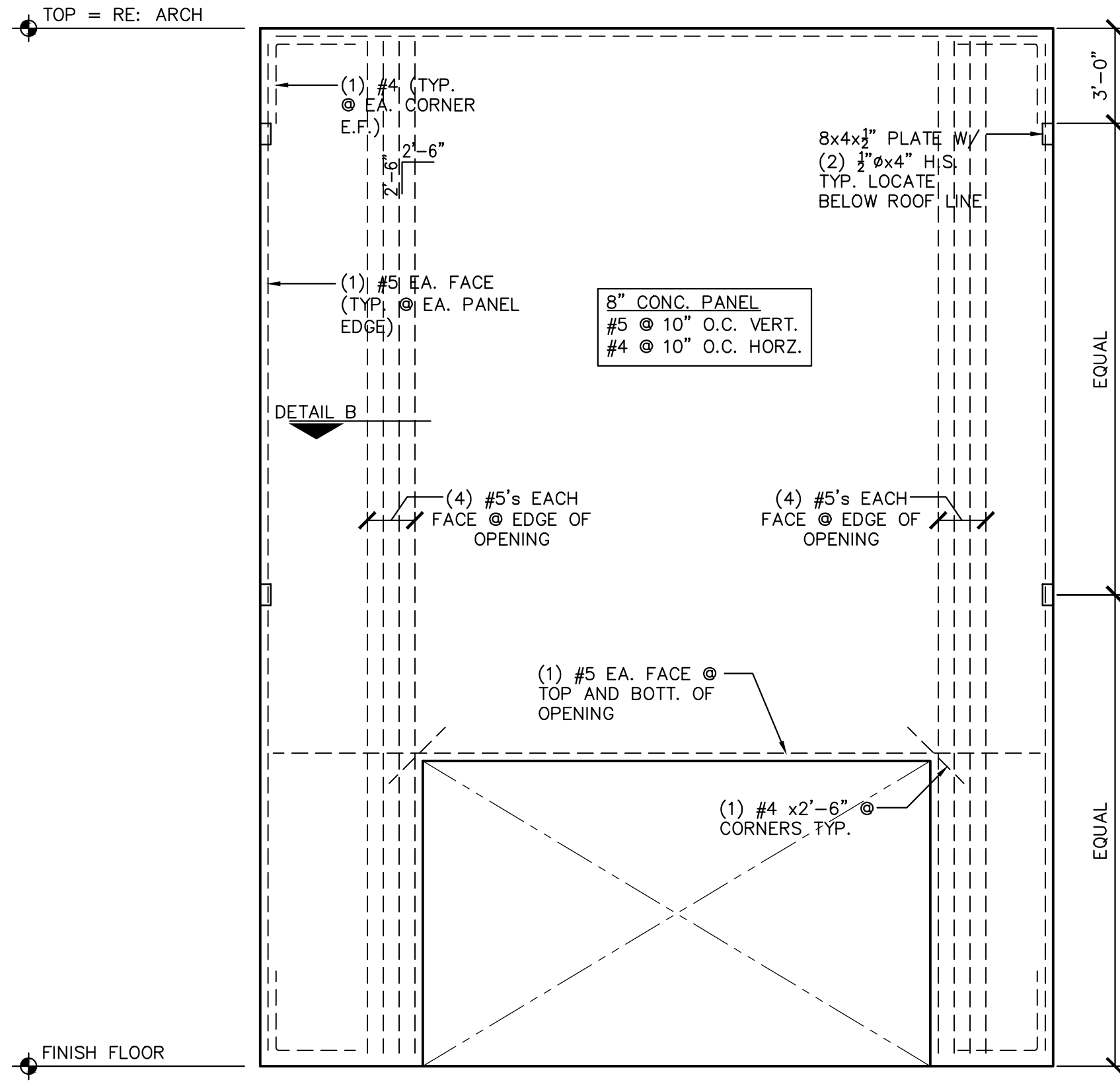
DETAIL A



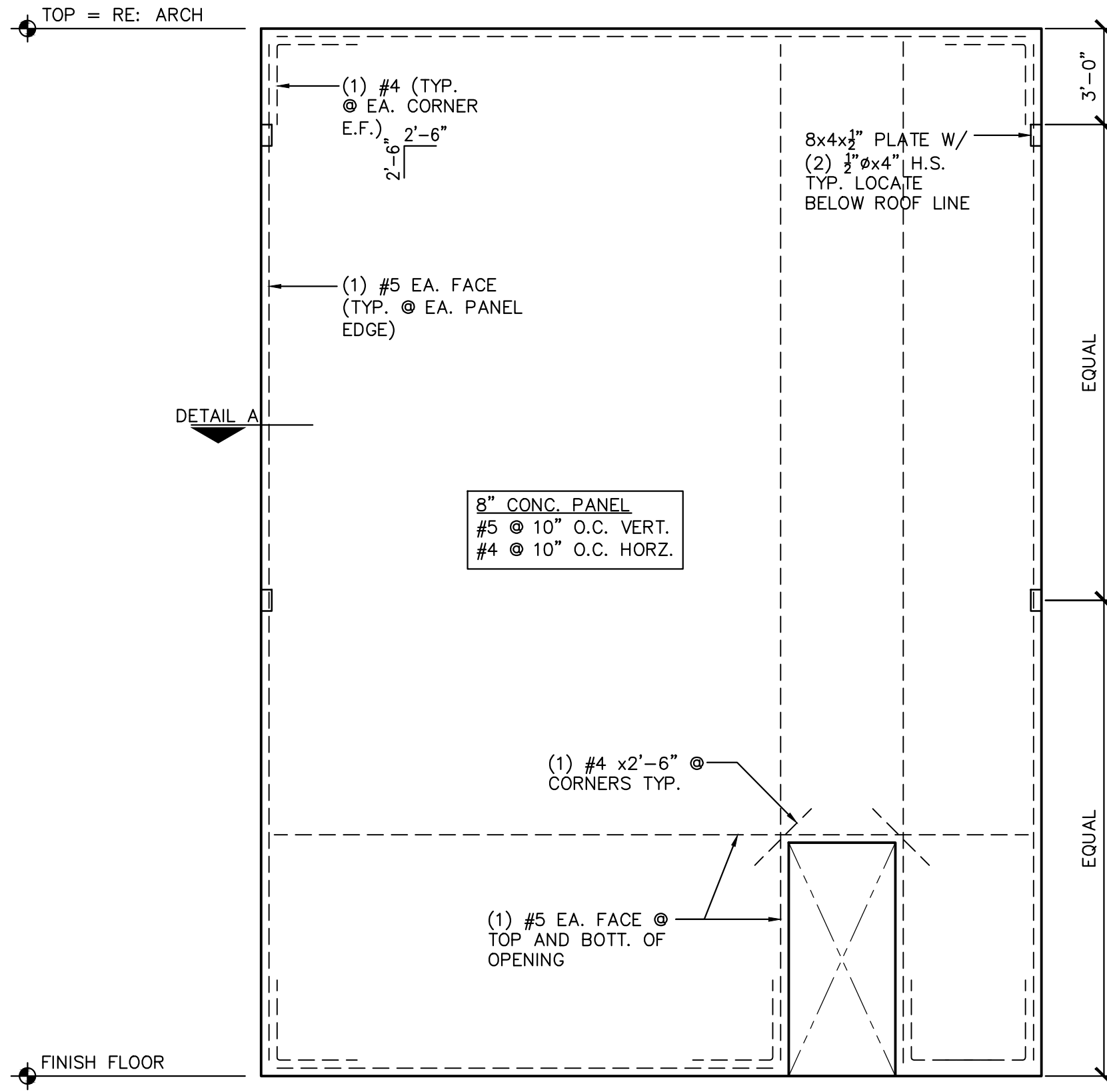
DETAIL B



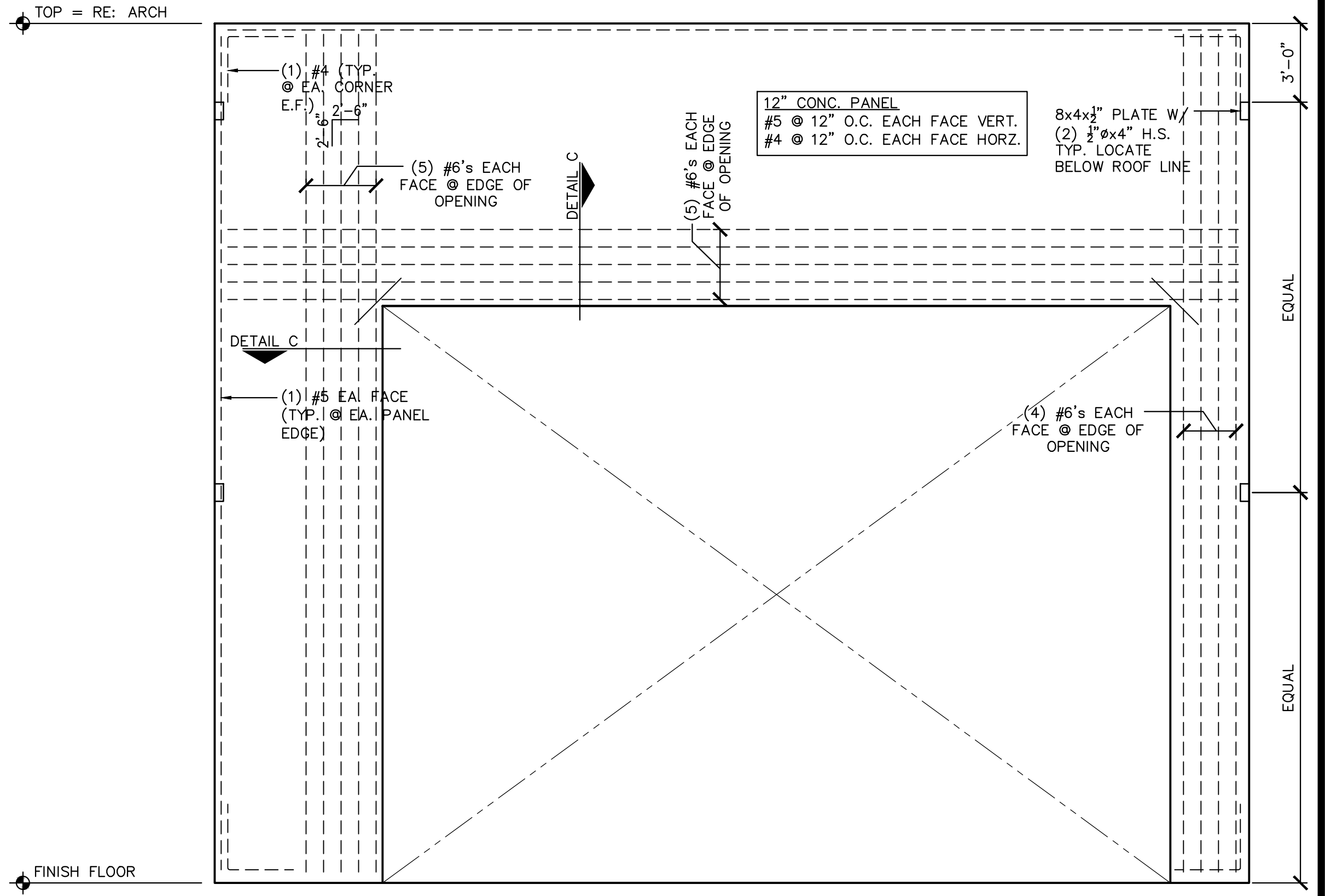
DETAIL C



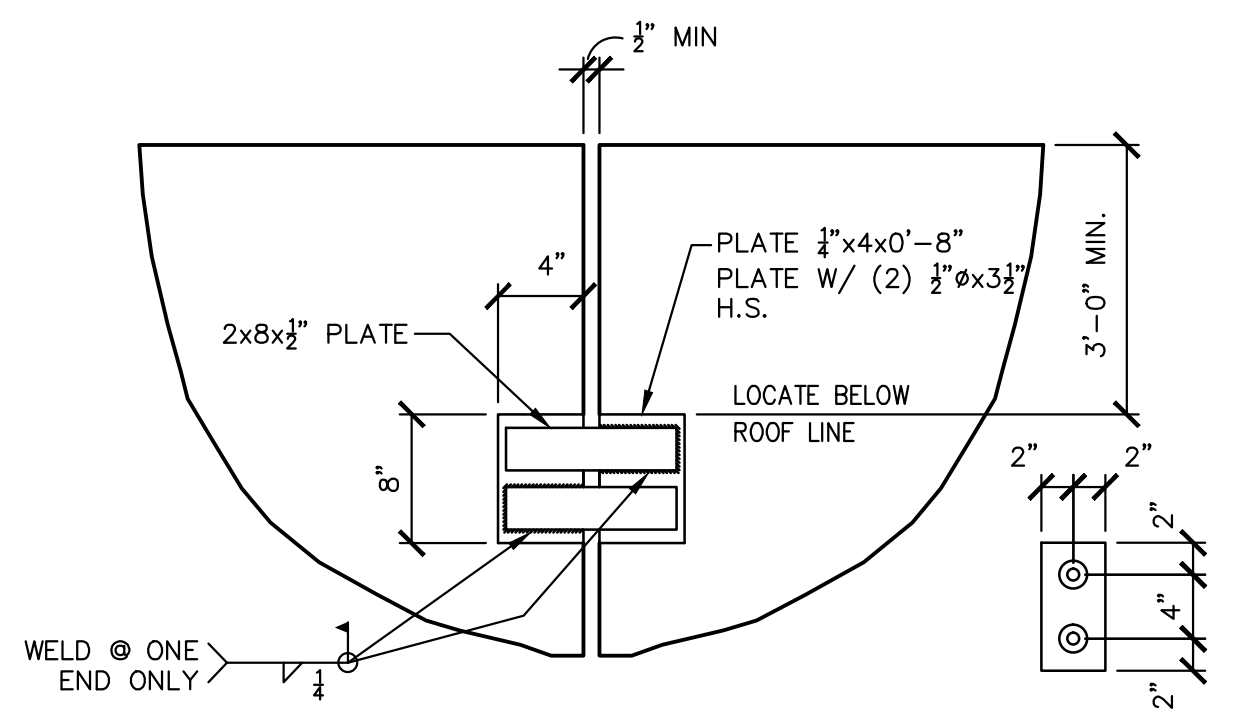
S601 TYP. PANEL REINF. DETAIL AT WINDOW OPENING  
1/4" = 1'-0"



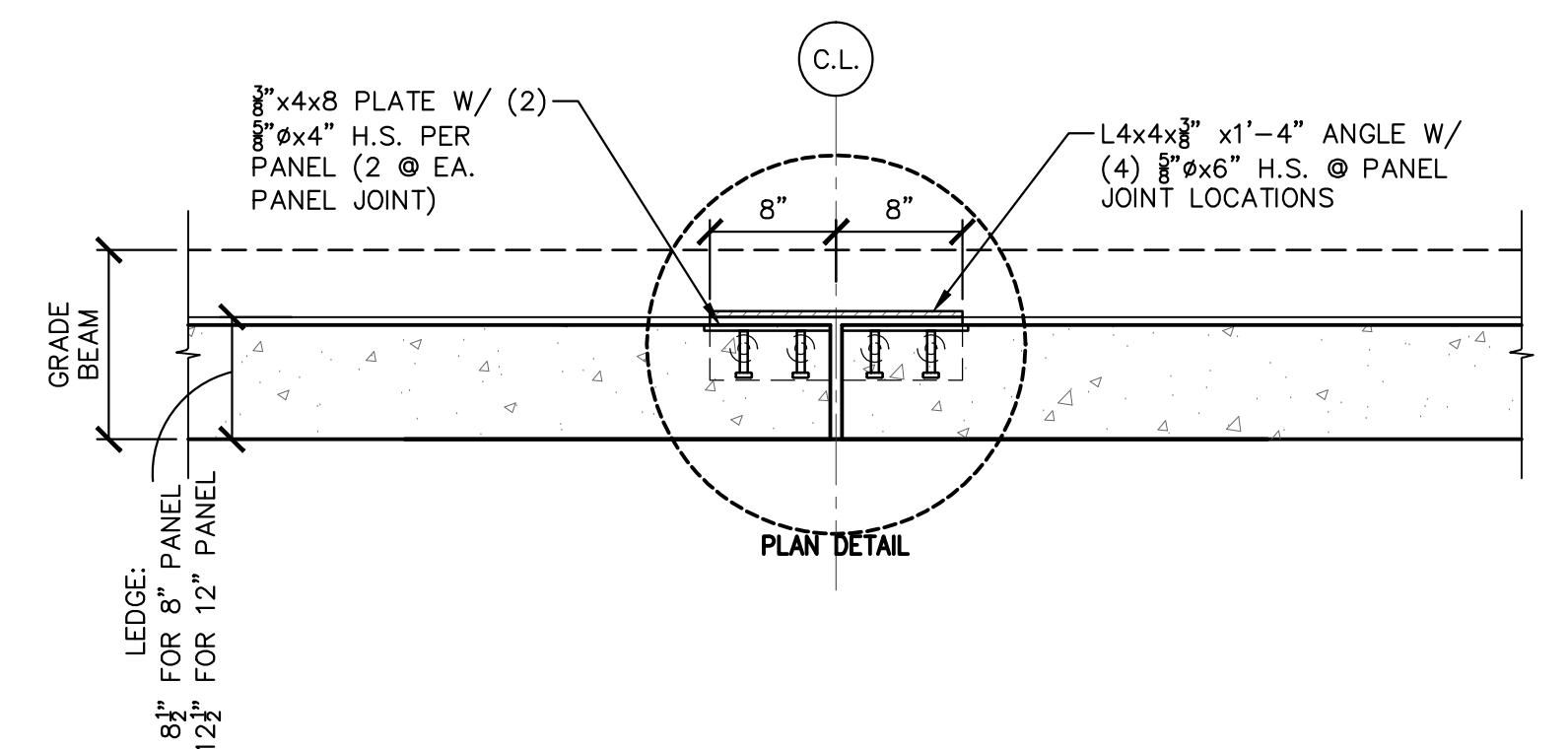
S602 TYP. PANEL REINF. DETAIL TYPICAL PANEL  
1/4" = 1'-0"



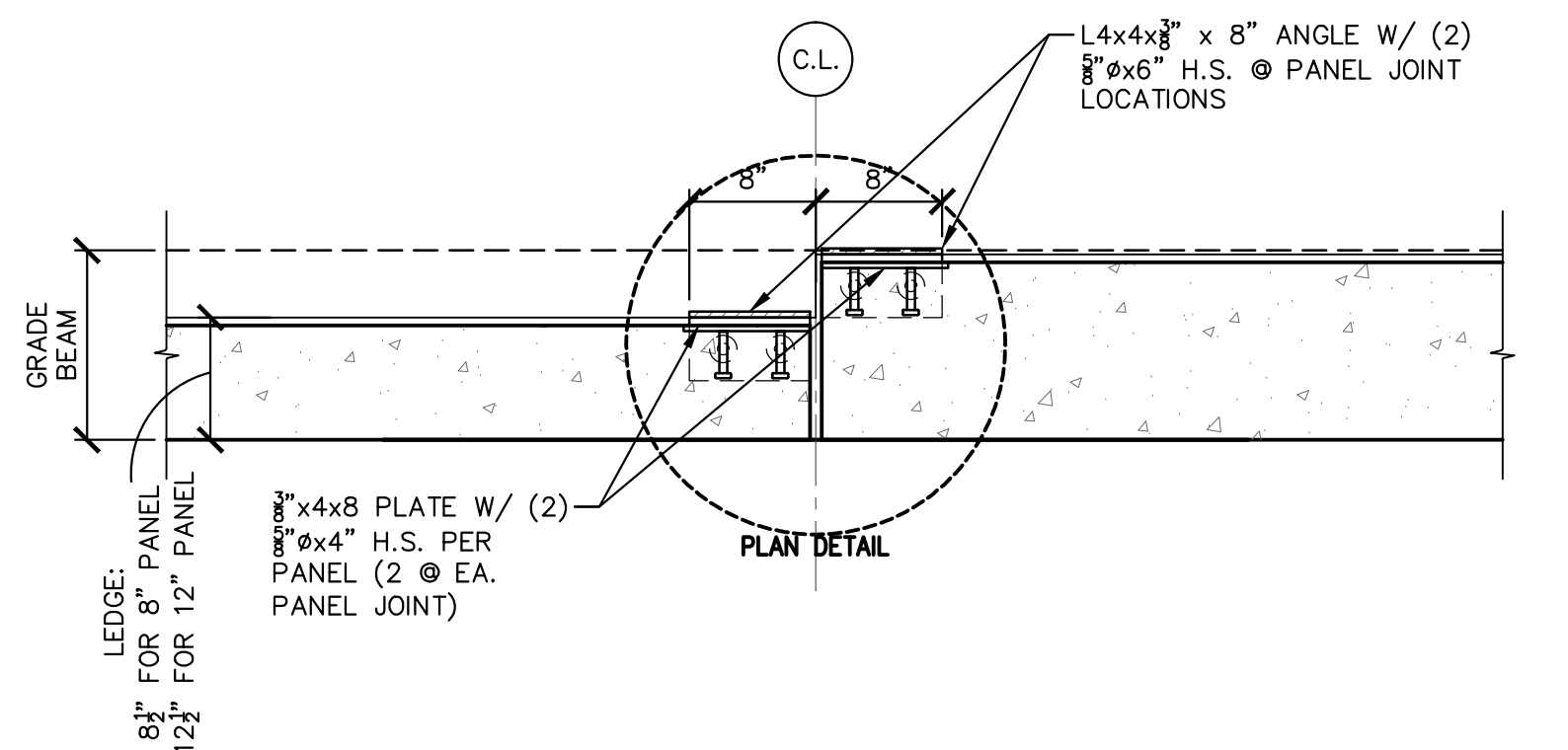
S603 TYP. PANEL REINF. DETAIL AT O.H. DOOR OPENING  
1/4" = 1'-0"



S605 TYP. PANEL TO PANEL CONNX. DETAILS  
NTS

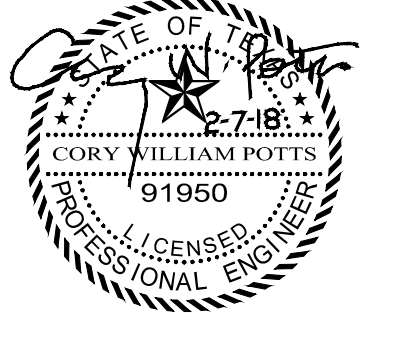


S606 PANEL CONNX DETAIL @ GRADE BEAM  
1" = 1'-0"



S607 PANEL CONNX DETAIL @ GRADE BEAM  
1" = 1'-0"

**SA**  
STUCKEY ARCHITECTS  
ARCHITECTURAL PLANNING DESIGN  
500 N. MAIN STREET, SUITE 140  
WICKLIFF, TEXAS 76092  
TELEPHONE (817) 842-0776  
FAX - (817) 842-0768  
EMAIL: stucky@stuckeyarchitects.com



**D1 FITNESS**  
**ALEDO RETAIL**  
ALEDO, TEXAS

**TILT WALL PANEL DETAILS**

**REVISIONS**

DRAWN BY: JMS	PROJ. MGR.: CWP
DATE: 2/7/2018	PROJ. NO.:

**SHEET NO.**

**S6**

**SHEET OF**