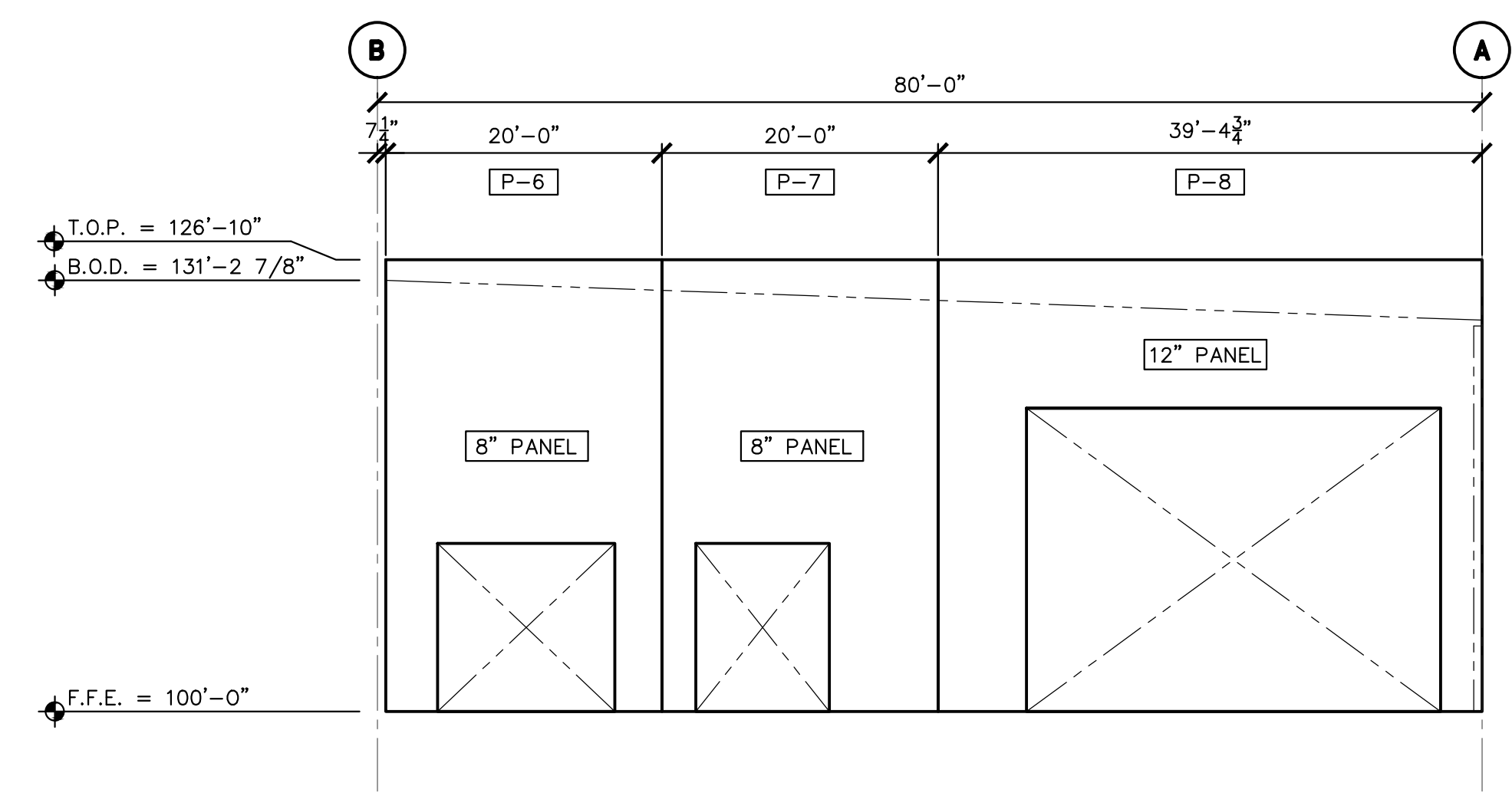
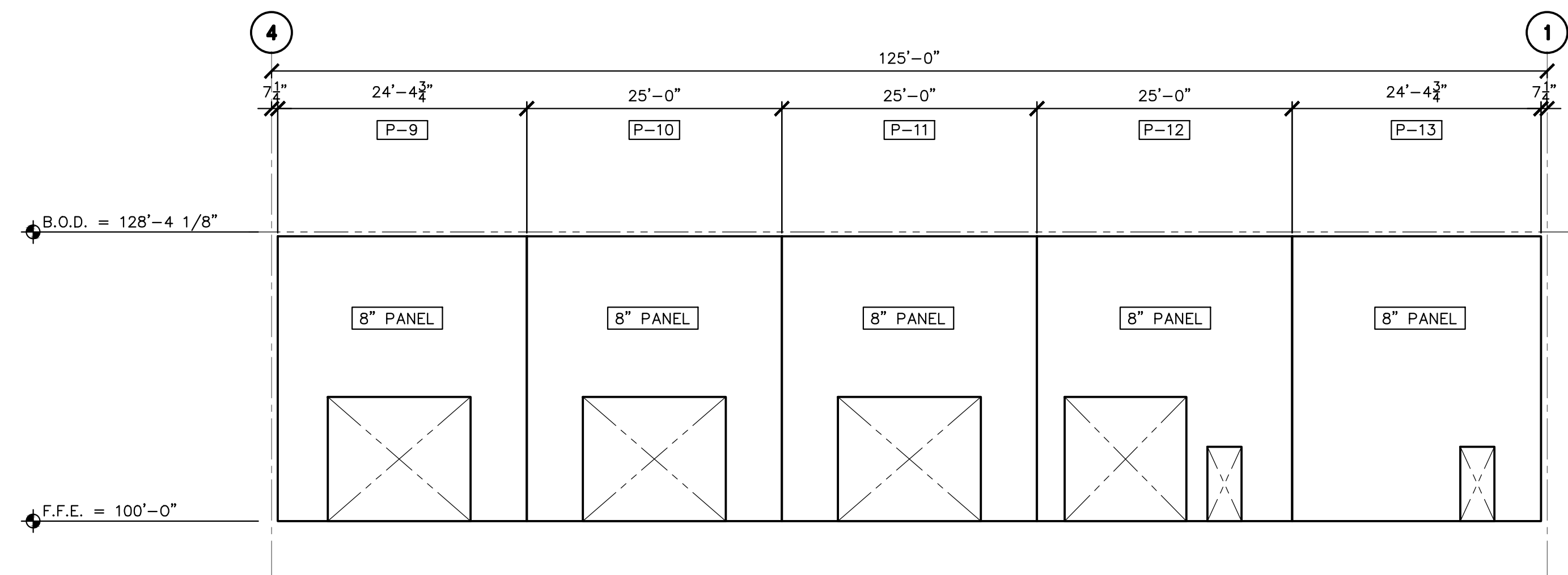


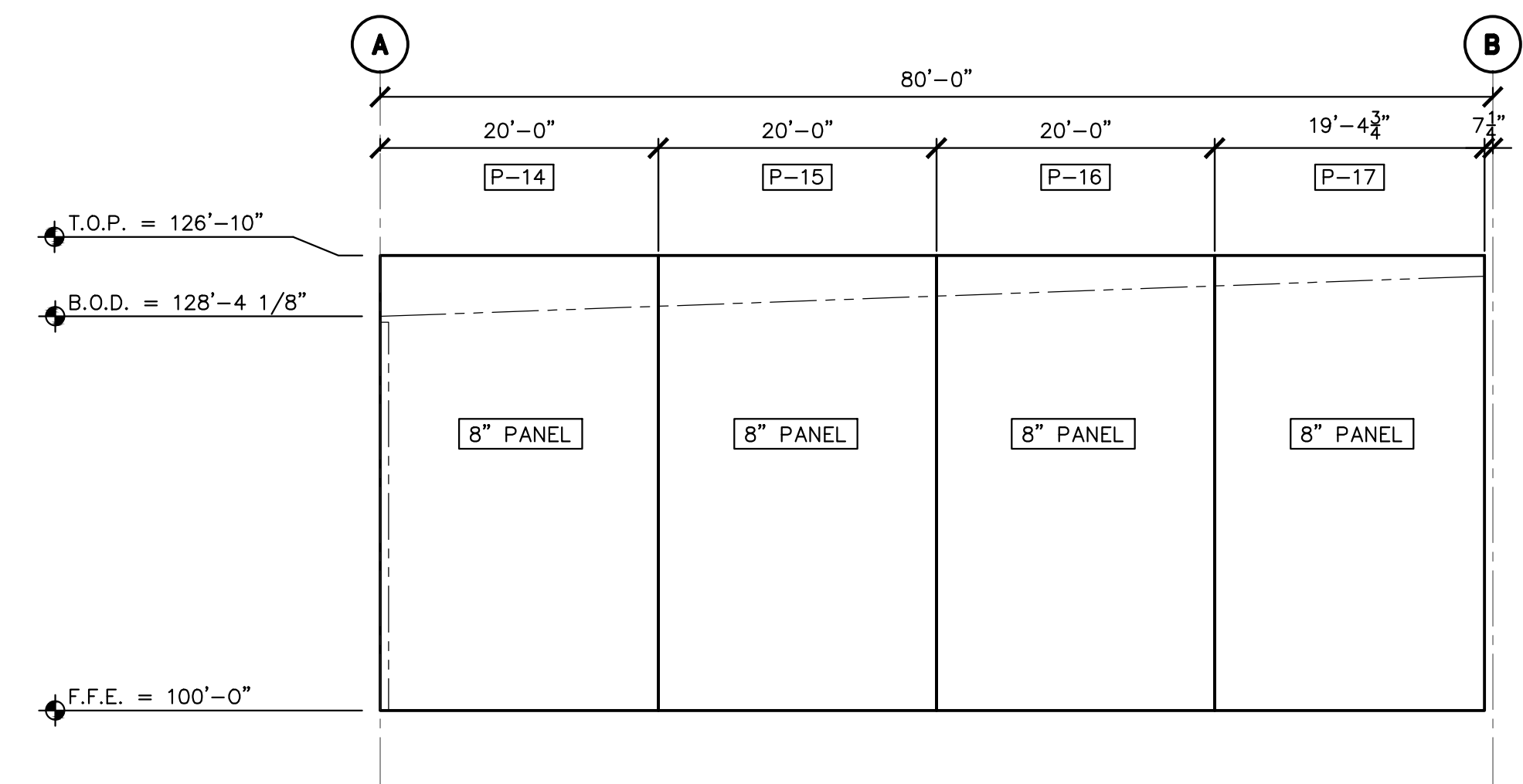
S701 EXTERIOR NORTH ELEVATION
 $3/32" = 1'-0"$



S702 EXTERIOR WEST ELEVATION
 $3/32" = 1'-0"$



S703 EXTERIOR SOUTH ELEVATION
 $3/32" = 1'-0"$



S704 EXTERIOR EAST ELEVATION
 $3/32" = 1'-0"$

D1 FITNESS
ALEDO RETAIL
 ALEDO, TEXAS

TILT WALL PANEL ELEVATIONS

REVISIONS

DRAWN BY: JMS PROJ. MGR.: CWP
 DATE: 8/7/2018 PROJ. NO.:

SHEET NO.

S7

SHEET OF